



SNYDER



Equipment, Inc.

Storing, Rolling, Lifting since 1947

PRODUCT INFORMATION

TROUBLE SHOOTING LYON MODULAR DRAWERS

2946 Larimer St. Denver, CO 80205

303-295-1100 / 800-373-7693

FAX 303-295-2464

Email info@snyderequipment.com

www.snyderequipment.com

LYON MODULAR DRAWER CABINET **TROUBLESHOOTING**

INITIAL CHECKLIST

- CHECK 1: *Insure that the Cabinet is level.*
- CHECK 2: *Insure that the key is **NOT** left in the lock cylinder during drawer operations.*
- CHECK 3: *Insure that the product being stored does not overhang the "useable height" dimensions of the drawers in the cabinet (especially in the right rear corner of the top drawer).*
- CHECK 4: *Insure that the product being stored has not fallen out of the drawers and become lodged between the back of the drawer and the lockbar of the cabinet. Remove the lower Drawer and its Carrier and with a flashlight, check for fallen material at the base of the lockbar.*
- CHECK 5: *Insure that the drawers are not overloaded or distorted (maximum **evenly distributed** load of 400 Lbs.), and that each Partition is properly screwed to the drawer bottom in two (2) places using the specified #6 x 1/4" long self-tapping screw (**102212**).*

If no problems are uncovered after completion of this checklist, continue below based on the specific problem.

CABINET LOCKING

PROBLEM 1: WITH THE CABINET IN THE UNLOCKED POSITION, THE CLOSING OF AN OPENED DRAWER RESULTS IN A "LOCKED-UP" CABINET. BY INSERTING THE KEY AND ROTATING IT TO THE LOCKED POSITION THEN BACK TO UNLOCKED POSITION, A DRAWER CAN THEN BE RE-OPENED.

STEP 1: *Replace Locking Mechanism (Refer to Drawing # **SS0740**).*

Enter a no charge claim through LYON Customer Service for a Lock Mechanism Replacement Kit. This Kit includes a Lockangle, Linkage, Lockrod, Nylon Washer, Grease, a Lockcylinder Wrench, and detailed Replacement Instructions. Under normal circumstances, the Lock Cylinder does not require replacement and is not apart of the kit above.

NOTE; Determine the specific part number to be ordered by referring to Drawing #SS0740. "Single Drawer Access" has a 240 prefix and "Multiple Drawer Access" has a 241 prefix, **both style are totally interchangeable with one another.**

PROBLEM 2: KEY WILL TURN FREELY 180° IN LOCK, BUT DRAWERS CAN NOT BE OPENED.

STEP 1: *Insert the Key and rotate full counter-clockwise (locked position).*

STEP 2: *Hold the handle of the top drawer and shake vigorously side to side.*

STEP 3: *Rotate Key full clockwise to unlock.*

If drawers can be opened, replace Locking Mechanism (Follow STEP 1 In PROBLEM 1).
If cabinet remains "locked-up", proceed to PROBLEM 3.

CABINET LOCKING (con't)

PROBLEM 3: KEY WILL NOT TURN FREELY 180° IN LOCK, AND DRAWERS CAN NOT BE OPENED.

- STEP 1:** *Insert the Key into the lock.*
- STEP 2:** *Tip the cabinet on its lock side about 1/2" off the floor and let it drop.*
Try this a few times in an effort to dislodge any stored material that has impeded Lockangle or Linkage operation.
- STEP 3:** *Rotate Key full clockwise to unlock.*
If cabinet unlocks, remove stored material that is causing the binding. If no binding is found, replace Locking Mechanism (Follow STEP 1 in PROBLEM 1).
If cabinet does not unlock, proceed to STEP 4.
- STEP 4:** *Fabricate or order a "Jimmy Bar Tool" (Refer to Drawing # **SS0518**) and follow directions.*
If cabinet unlocks, remove stored material that is causing the binding. If no binding is found, replace Locking Mechanism (Follow STEP 1 in PROBLEM 1).
If cabinet does not unlock, proceed to STEP 5.
- STEP 5:** *Cut open the specific area in the back of the cabinet (Refer to Drawing # **SS0518**)*

DRAWER OPERATION

PROBLEM: EXCESSIVE FORCE IS REQUIRED TO OPERATE DRAWER

- STEP 1:** *Identify whether Carrier is tight on the Drawer or tight in the Cabinet.*
- STEP 2:** *Remove Drawer from Cabinet and conduct Carrier adjustments (Refer to Drawing # **SS0763**).*
Note proper configuration of Carrier during re-installation.

DRAWER RE-CONFIGURATION

PROBLEM: REQUEST TO HAVE DRAWER CONFIGURATION MODIFIED IN THE FIELD

- STEP 1:** *Remove all Drawers and their Carriers as matched sets to avoid adjustments.*
As each set is lifted up to clear its Stop Tabs and removed, the Key must be cycled counterclockwise then clockwise to "rehome" and unlock the next Drawer.
- STEP 2:** *Remove all Drawer Guides except bottom pair (Note L/R hand marking)*
Screw removal requires a T20 Torx bit Screwdriver.
- STEP 3:** *Relocate Drawer Guides Into new locations (Refer to Drawing # **SS0524**)*
- STEP 4:** *Reinsert Drawers and Carriers into new locations.*
Note proper configuration of Carrier during re-installation.

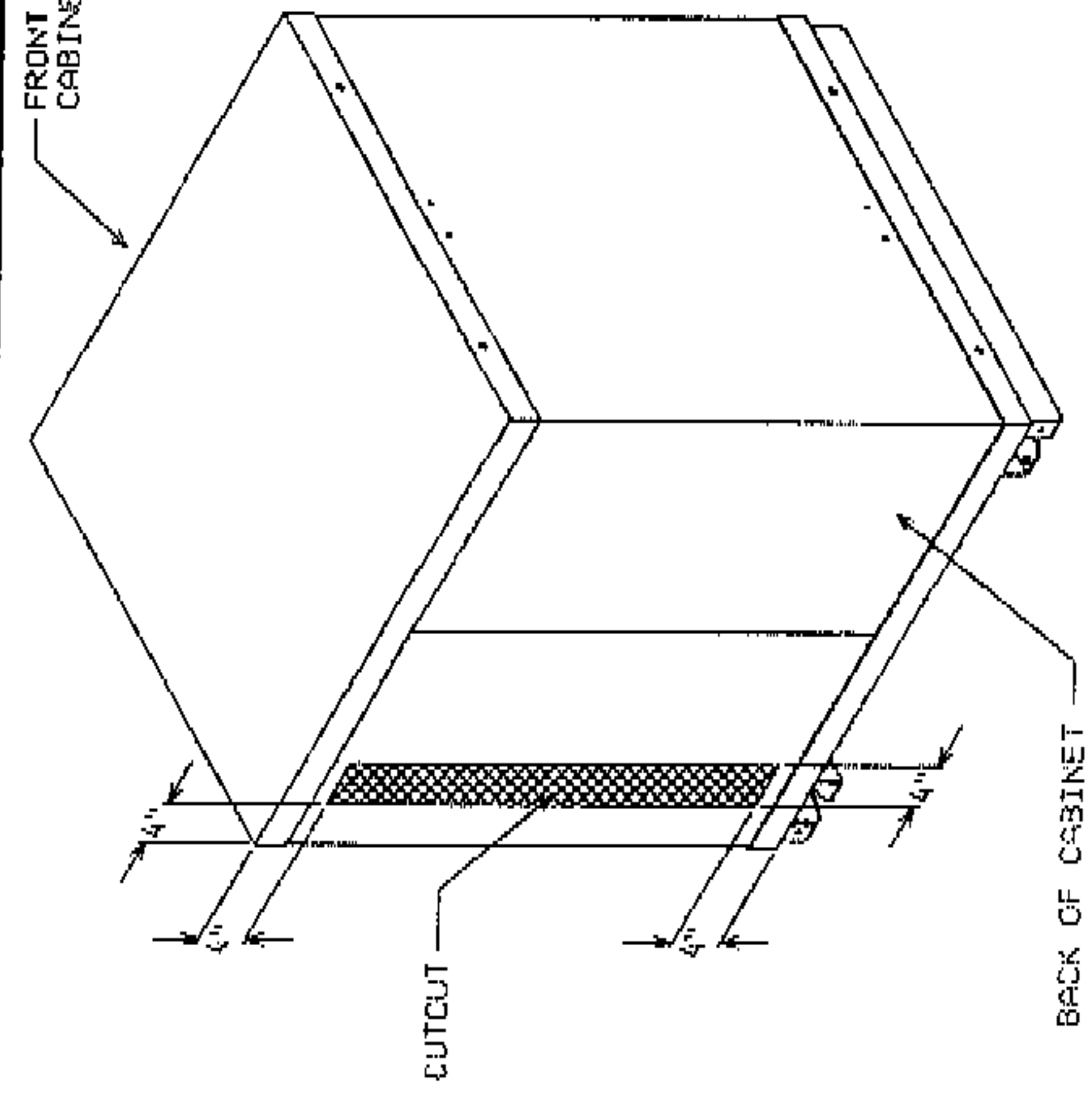
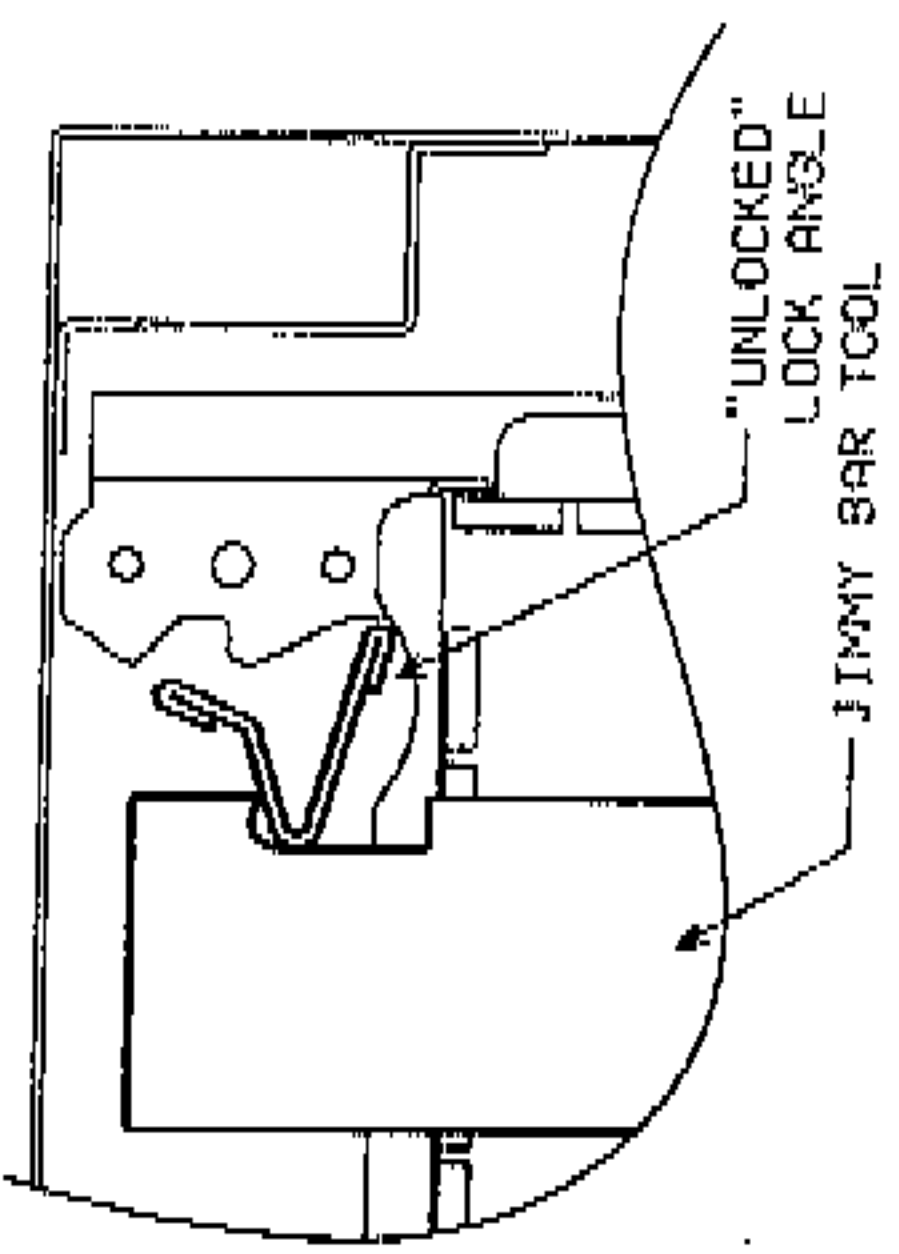
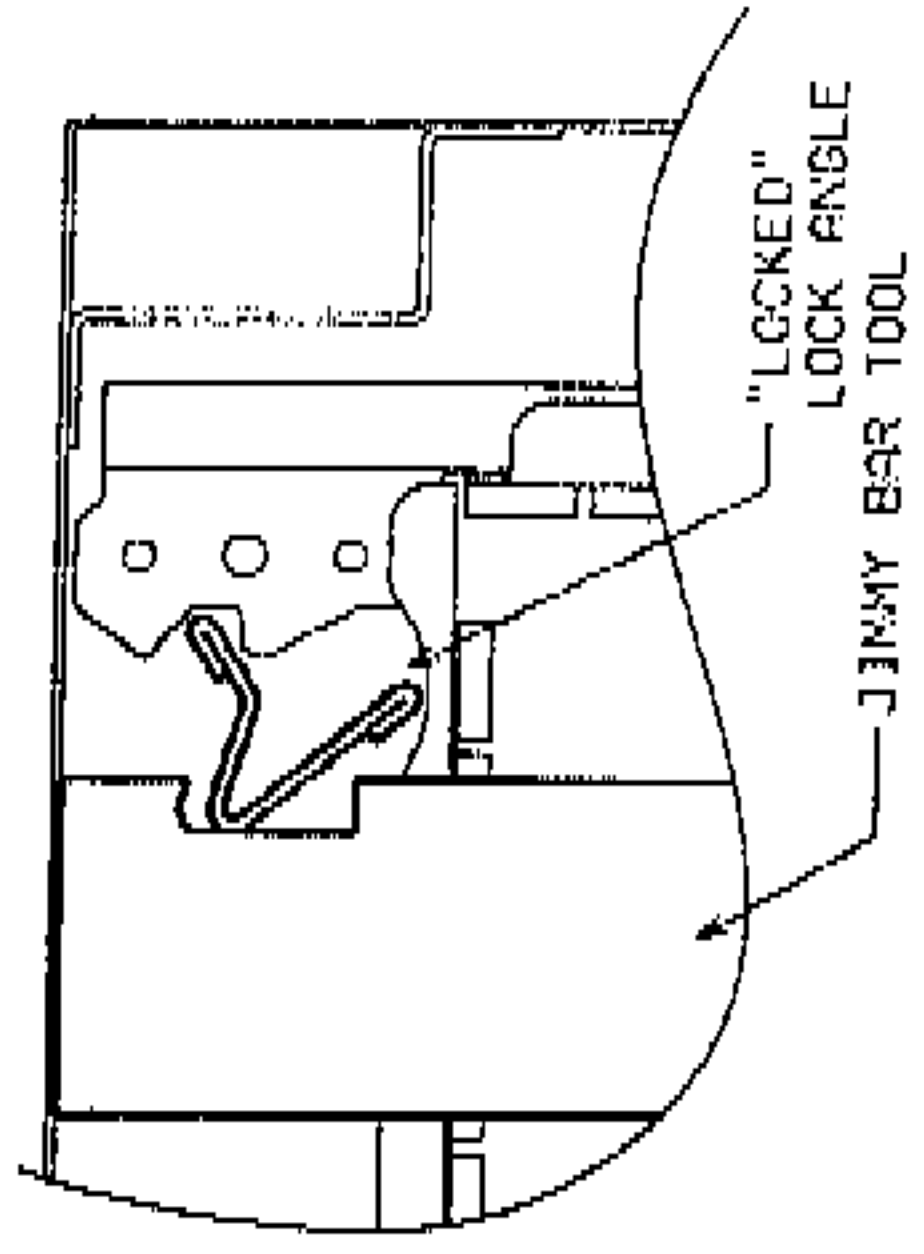
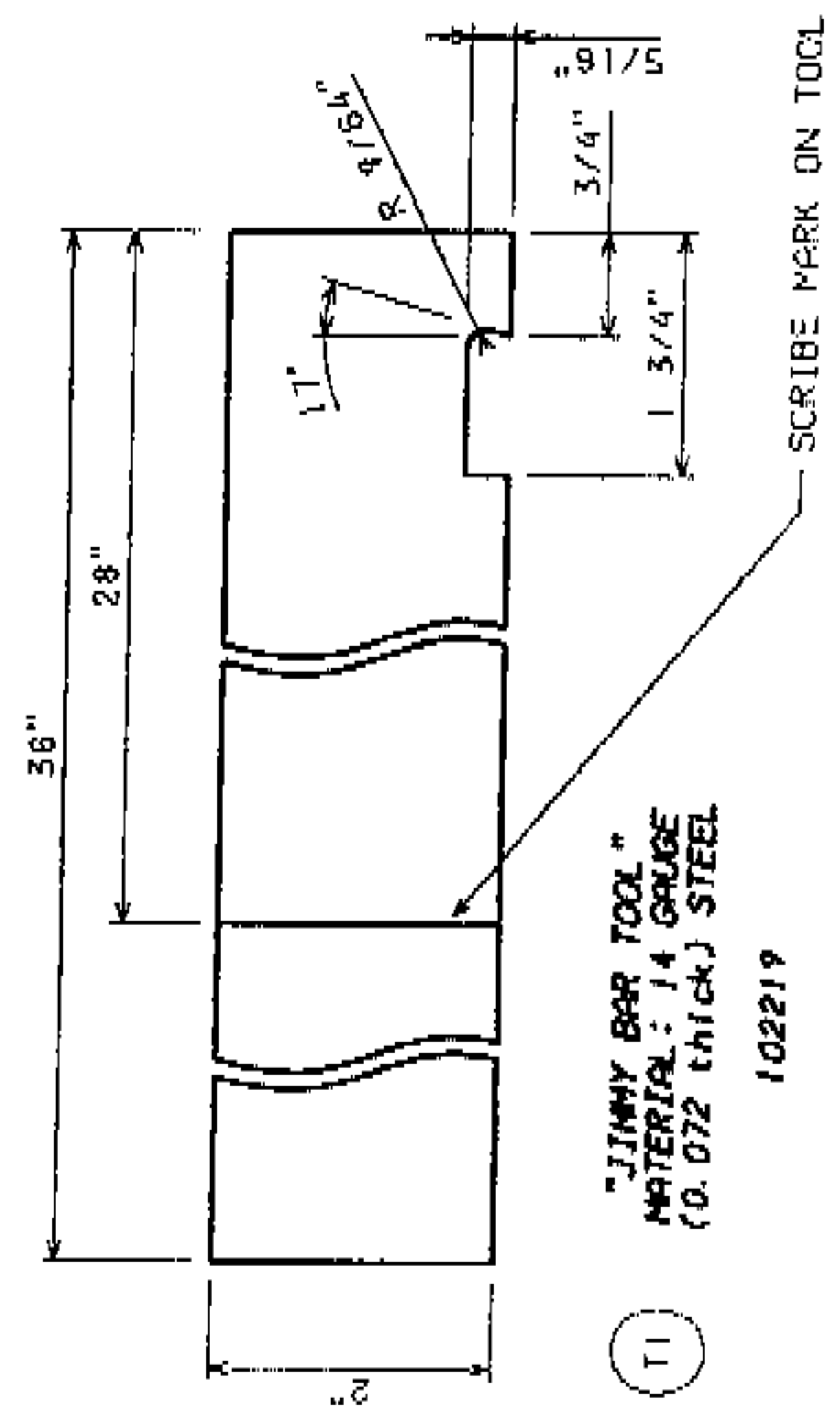
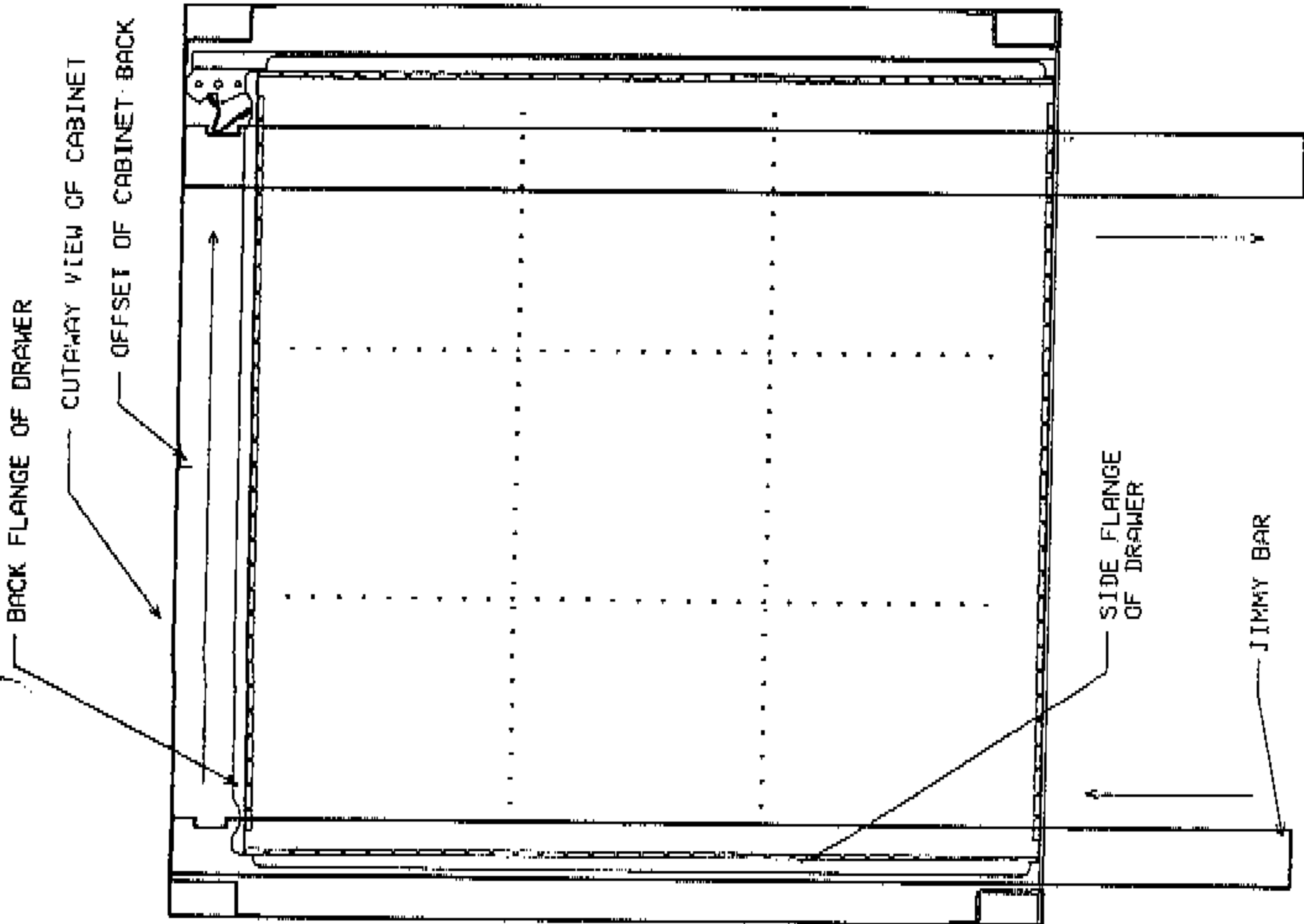
LYON MODULAR DRAWER CABINET

PARTS

<u>KEY</u>	<u>DESCRIPTION</u>	<u>PART NUMBER</u>	
H1	<i>Closure Strip w/ Tree Clips (Specify Color)</i>	102213	(22-Wide)
		102214	(30-Wide)
		102561	(36-Wide)
		102215	(45-Wide)
		102216	(60-Wide)
H2	<i>Black Plastic Tree Clip</i>	101928	
L1	<i>Cabinet Lock Cylinder w/ two Keys (Specify Key Number, if necessary)</i>	101782	
		102600	
L2	<i>Lockrod</i>	101781	
L3	<i>Linkage Assembly</i>	102163	
L4	<i>Lockangle Weldment Single Drawer Access (Multiple Drawer Access)</i>	102164 (102330)	(270-Height)
		102165 (102331)	(310-Height)
		102166 (102332)	(350-Height)
		102167 (102333)	(400-Height)
		102168 (102334)	(490-Height)
	102169 (102335)	(680-Height)	
L5	<i>Flat Nylon Washer</i>	101931	
L6	<i>Grease, 3/8 oz.</i>	102606	
D1	<i>Handle w/ End Caps, Labels & Screws</i>	102217	(22-Wide)
		102218	(30/36/45/60-Wide)
D2	<i>Handle End Cap, Right</i>	101893	
D3	<i>Handle End Cap, Left</i>	101892	
D4	<i>Cardboard Label</i>	240112	
D5	<i>Plastic Shield</i>	240111	
D6	<i>Handle Screw</i>	102200	
D7	<i>Partition / Divider Screw</i>	102212	
S1	<i>Carrier Assembly</i>	102170	(22-Wide)
		102171	(30-Wide)
		102562	(36-Wide)
		102172	(45-Wide)
		102173	(60-Wide)
S2	<i>Pair of Drawer Guides w/ Screws</i>	102174	
S3	<i>Drawer Guide Screw</i>	102199	
A1	<i>Cabinet Handle w/ fasteners (Specify Color)</i>	102244	
T1	<i>"Jimmy Bar" Tool</i>	102219	
T2	<i>Lockcylinder Wrench</i>	102601	

JIMMY BAR OPERATION

- 1) Insert the "JBT" (with notch on right) between two of the shortest height drawers on the far left side of the cabinet.
- 2) Slide the "JBT" straight ahead into the cabinet letting its end rest on the top flange of the drawer body until it hits the back of the cabinet. The scribe mark on the "JBT" should line up with the face of the drawer.
- 3) Move the "JBT" to the right towards the center of the cabinet while keeping its end against the back of the cabinet.
- 4) As the "JBT" hits against the offset of the back of the cabinet, pull forward 3/4" to clear, then move it back and continue to the right until it contacts the Lockangle.
- 5) Hook the notch of the "JBT" around the Lockangle and with the Key in the full clockwise position, pull the "JBT" outward to unlock the cabinet.



RECD CABINET CUTOUT VIEW		DATE	APR-04	RE
REL FOR USE		0367	APR-11	RE
SYN		REVISION	ECN	DATE
				BY

NOTES:

- 1) ALL DIMENSIONS ARE INCHES
- 2) TOLERANCES (UNLESS OTHERWISE NOTED)
DECIMAL: .XX = ±.03
.XXX = ±.015
ANGULAR: ± 1°

MATERIAL: SEE DRAWING

RAW P/C	WEIGHT(LB)	FINISH
102219		

DATE	DRAWN BY	CHECKED BY
09-20-99	RE	DV

LYON
LYON METRIC PRODUCTS
PO BOX 471
RUDDA, IL 60070
(800) 325-0082 FAX: (815) 351-1611

MDC
DESCRIPTION: JIMMY BAR / CABINET CUTOUT

SHEET: 1
DWG NUMBER: SS0518
REV: 2

NOTE: THIS IS A CONFIDENTIAL DISCLOSE LOANED BY SYMARE SYSTEMS FOR REFERENCE PURPOSES ONLY

Guide Installation

1) INSERT THE REAR TANGS OF ONE (1) LEFT HAND AND ONE (1) RIGHT HAND DRAWER GUIDE IN THE REAR FRAME SLOTS (THIS MAY REQUIRE A TAP WITH A HAMMER). THEIR FRONT DIMPLES FIT INTO THE FRONT FRAME HOLES AND ARE ATTACHED WITH A 1/4-20 x 3/4 FLAT HEAD SCREW. DRAWER GUIDE HANDS ARE MARKED AND ROLLER DEPRESSIONS ARE ON THE BOTTOM WHEN PROPERLY INSTALLED.

2) THE SPACING IS DETERMINED BY THE HEIGHT OF THE DRAWER FRONT BELOW. THEREFORE, COUNT ONE (1) HOLE FOR EACH SEGMENT OF THE DRAWER FRONT BELOW TO LOCATE THE HOLES FOR THE NEXT PAIR OF GUIDES ABOVE.

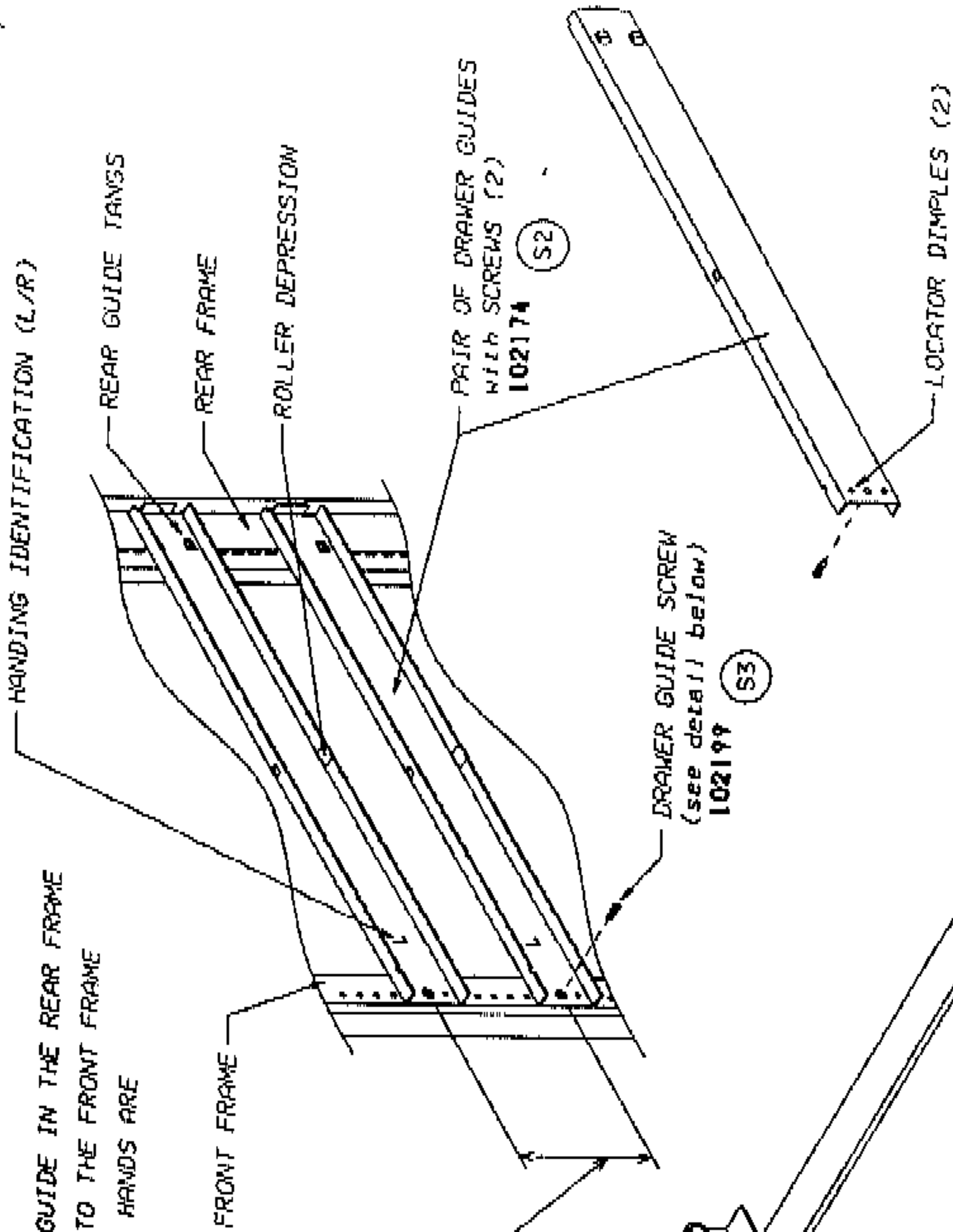
Drawer/Carrier Installation

1) INSERT THE CARRIER BETWEEN THE PAIR OF DRAWER GUIDES AND LIFT UP AT FRONT TO CLEAR THE STOP TABS.

2) INSERT THE DRAWER INTO THE CARRIER AND LIFT UP AT FRONT TO CLEAR THE STOP TABS.

8 HOLES (SEGMENTS)
= 6 3/16" DRAWER FRONT
or 240-80 DRAWER

THIS END OF CARRIAGE ASSEMBLY IS LOCATED AT REAR OF CABINET (note upper roller bearing)



- (S1) CARRIER
- 102170 (22-WIDE)
 - 102171 (30-WIDE)
 - 102562 (36-WIDE)
 - 102172 (45-WIDE)
 - 102173 (60-WIDE)

PL. DW. NO.	ISSUED	DATE	BY
4367	RE	10-05-99	RE
REVISION	ECN	DATE	BY
1	4367	10-05-99	RE
2	4367	10-05-99	RE

NOTES:

- 1) ALL DIMENSIONS ARE INCHES
- 2) TOLERANCES (UNLESS OTHERWISE NOTED)
DECIMAL: .XX = ±.03
.XXX = ±.015
ANGULAR: = ±1°

DESCRIPTION: LYON METAL PRODUCTS
40 BAY ST. WILMINGTON, DE 19801
(610) 426-4200 FAX: (610) 426-4201

MATERIAL: SEE DRAWING

FINISH: ---

CHECKED BY: DJV

DATE: 10-05-99

DRAWN BY: RE

LYON

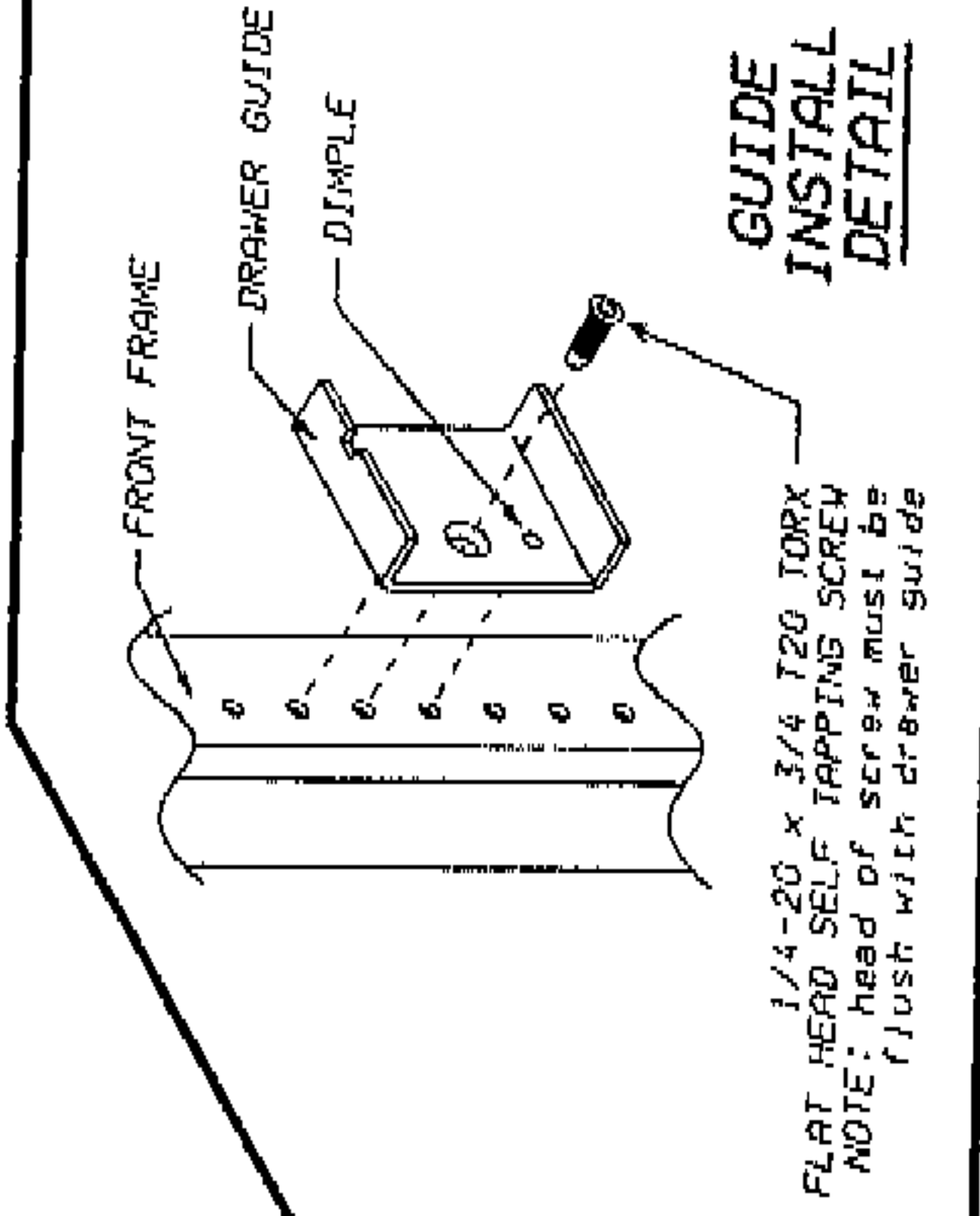
MDC

DESCRIPTION: DRAWER GUIDE / NEW CARRIER DESIGN

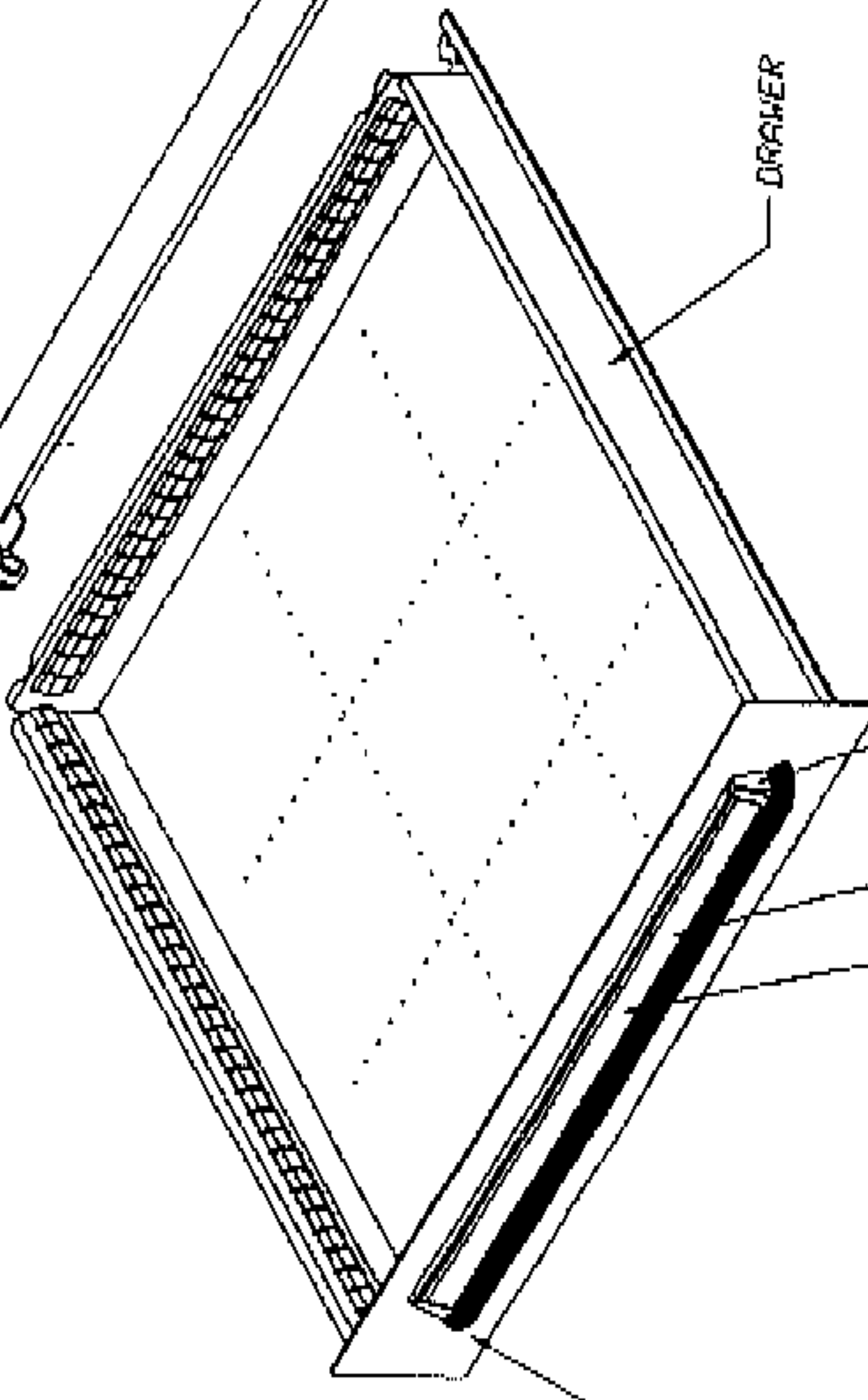
SHEET: 2

J-G NUMBER: SS0524

REV: 2

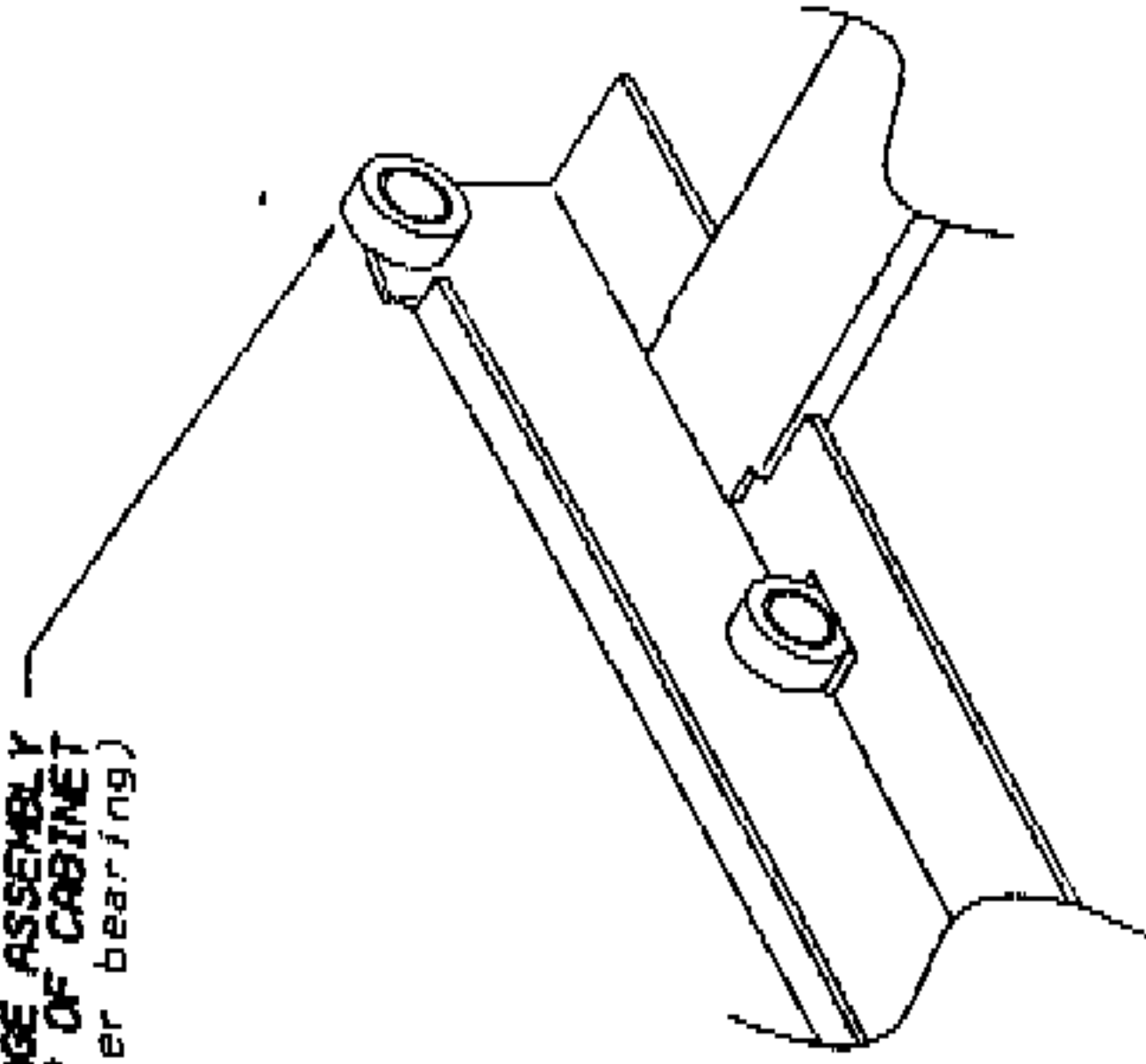


- HANDLE END CAP - LEFT (D3) 101892
- HANDLE END CAP - LEFT (D2) 101893
- HANDLE CARDBOARD LABEL (D4) 240112
- HANDLE PLASTIC SHEILD (D5) 240111



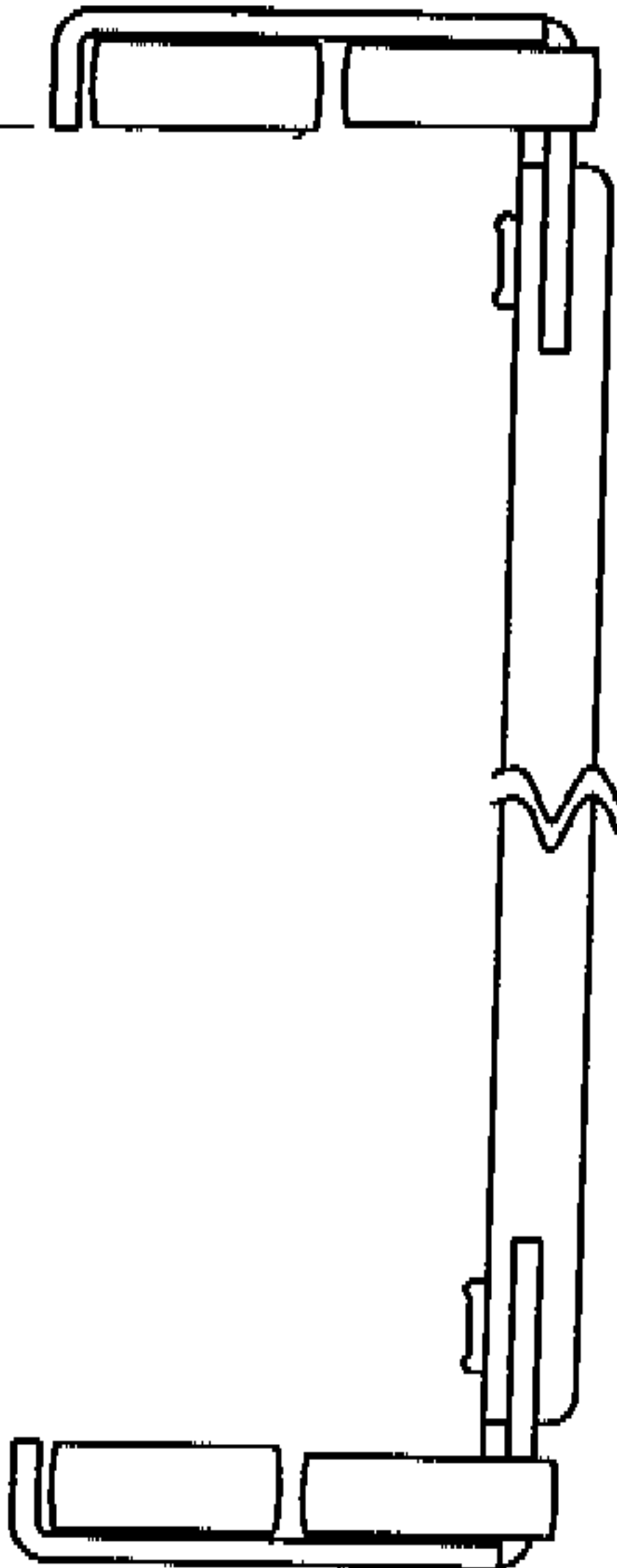
WIDTH	SMALLEST DIMENSION	ACTUAL DIMENSION	LARGEST DIMENSION
22 WIDE	18-13/16	18-7/8	18-15/16
30 WIDE	26	26-1/16	26-1/8
36 WIDE	32-3/8	32-7/16	32-1/2
45 WIDE	40-13/32	40-15/32	40-17/32
60 WIDE	55-5/8	55-11/16	55-3/4

THIS END OF CARRIAGE ASSEMBLY IS LOCATED AT REAR OF CABINET (note upper roller bearing)



"SIDE TO SIDE" DIMENSION

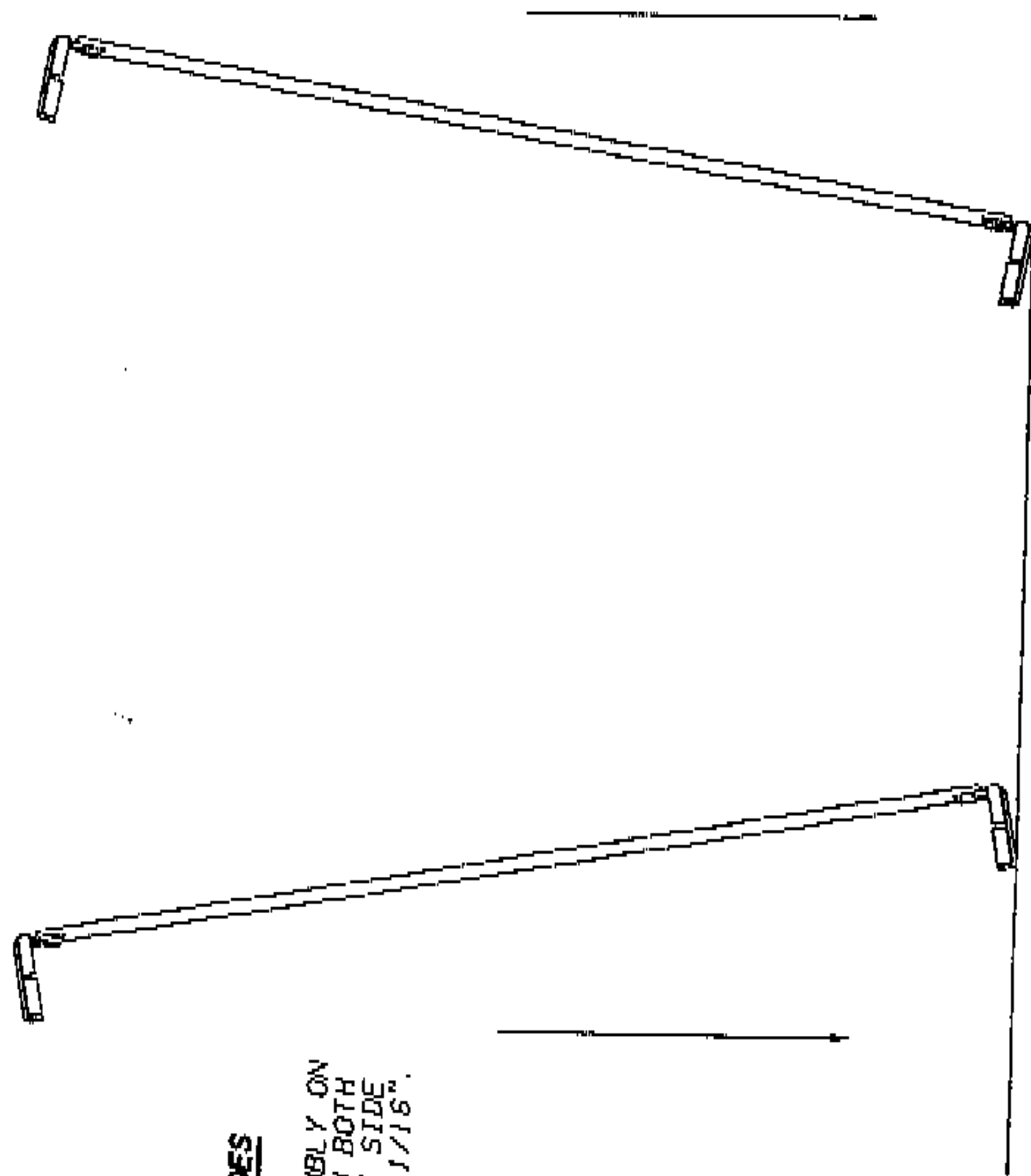
ACTUAL DIMENSION (see chart)



FRONT VIEW OF CARRIER ASSEMBLY

CARRIER TIGHT IN GUIDES

TAP THE CARRIER ASSEMBLY ON THE FLOOR AS SHOWN ON BOTH SIDES TO DECREASE THE SIDE TO SIDE DIMENSION BY 1/16".



CARRIER TIGHT ON DRAWER

TAP THE CARRIER ASSEMBLY ON THE FLOOR AS SHOWN ON BOTH SIDES TO INCREASE THE SIDE TO SIDE DIMENSION BY 1/16".

NOTES:

- 1) ALL DIMENSIONS ARE INCHES
- 2) TOLERANCES (UNLESS OTHERWISE NOTED):
 DECIMAL: .XX = ±.03
 .XXX = ±.015
 ANGULAR: = ±1°
- 3) REAMER ALL SHARP EDGES AND BURRS

ADDED 3RD CARRIER DETAIL DATE 11-14-03 BY	REL FOR PRODUCTION DATE 12-11-01 RE	
SYN	REVISION ECD DATE BY	
MATERIAL		
PART NUMBER	QTY (PCS)	FINISH
DATE 12-11-01	DRAWN BY RE	CHECKED BY DV
LYON LYON METAL PRODUCTS PO BOX 1111 AUBURN, IL 62607 (618) 821-9887 FAX: (618) 821-6611		
MDC	DESCRIPTION CARRIER ADJUSTMENT	
SHEET	DWG NUMBER	REV
	SS0763	2