

# SNYDER



**Equipment, Inc.**

*Storing, Rolling, Lifting since 1947*

## **Dero bike lockers**

2946 Larimer St. Denver, CO 80205

303-295-1100 / 800-373-7693

FAX 303-295-2464

Email [info@snyderequipment.com](mailto:info@snyderequipment.com)

[www.snyderequipment.com](http://www.snyderequipment.com)

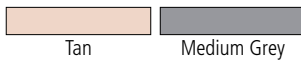


DERO

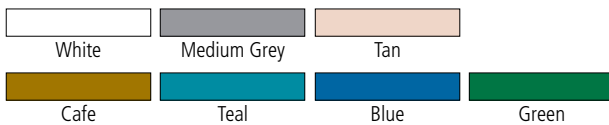
## BIKE LOCKERS

- High durability
- Horizontal or vertical parking
- Many options and accessories

### 300 Series Color Options



### 350 Series Color Options



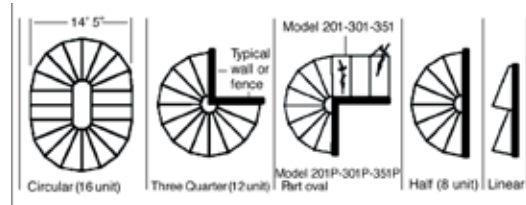
Our diverse selection of locker styles includes models to accommodate 1 or 2 bikes in both rectangular and wedge shapes. Save additional square footage by choosing a locker that stores bikes vertically. For those architects looking toward the future, we also have the SOLAR-SHELL, the only patented bike locker that is a true solar powered charging station for electric bikes or scooters.

# BIKE LOCKERS

The use of bike lockers at your facility provides several advantages. By offering your bicycle riders a covered and secure place to park their bikes you can earn LEED credits for your building and place yourself at the forefront of environmentally responsible construction.



The chances are you will not even have to create a space for bike lockers, as they are perfect for making use of otherwise dead space. Reward your bicycle commuters by turning an unused corner into convenient and sheltered bike parking.

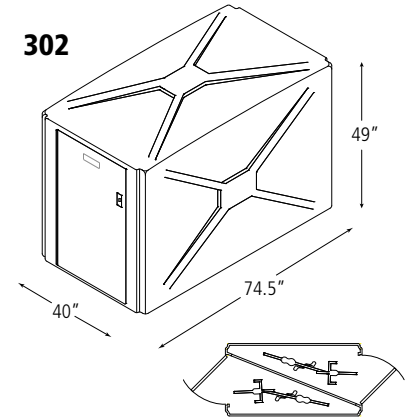
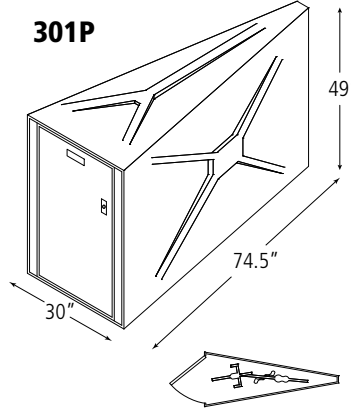
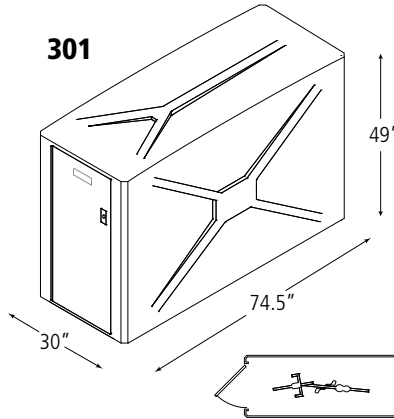


Gain immediate recognition of your organization's commitment to alternative transportation and include your logo on the side of your lockers. We can mold your company's logo directly into the shell of the locker so that it is not merely a decal or a painted image that could wear over time.





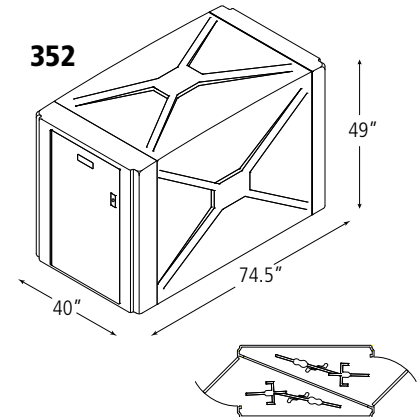
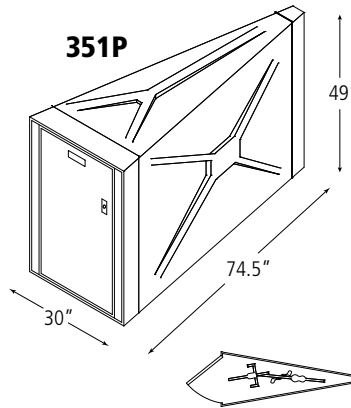
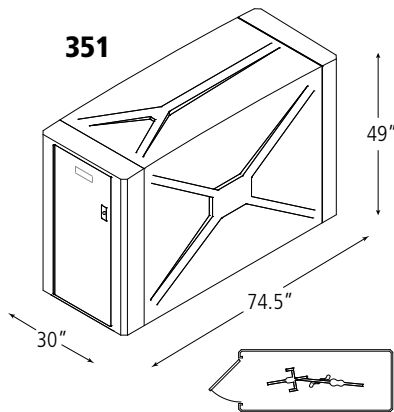
### Models 301, 301P, 302



### Structure and Finish

- 1 door, 1 bike capacity.
- One piece molded fiberglass plastic composite, UV and graffiti resistant.
- Comes in choice of two colors - medium grey or tan.
- Comes standard with choice of T-handle lock with three keys or padlocking handle system.
- All lockers are shipped assembled and can stand alone or be grouped.
- No common walls - Lockers are easily relocated.
- Fiberglass reinforced plastic is highly resistant to impact and stains and will not corrode.
- High security with standard key locks recessed in door face and internal locking bar mechanism.

### Models 351, 351P, 352



### Structure and Finish

- 1 Door, 1 Bike capacity
- Modular molded fiberglass plastic composite
- UV and graffiti resistant
- Comes in choice of seven colors
- Comes standard with Medeco T-handle lock system
- All stainless steel hardware
- Gear Hooks (2 per locker)
- Airflow vents
- Engraved locker numbers (Starting at 1 unless otherwise noted)
- Fiberglass reinforced plastic construction is highly resistant to impact and scratching
- Finish never needs painting, will not rust or corrode, and is extremely resistant to stains
- Standard locking mechanism is completely internal and resists tampering



### Padlock Handle

Heavy duty padlock system that will accommodate high security padlocks (padlock not included) No Extra Charge



### Coin Operated Locks with Locking Bar System

Collection of revenue or token/coin refund. Locking bar system provides extra security for doors with coin operated locks – coin lock engages a locking bar system in lieu of a single point of contact.

Includes stainless handle, stainless steel cover plate on door and locking bar system.



### Door Locking Bar

We have designed our standard strong door locking bar assemblies to provide locker security with top and bottom latching.



### Master Keyed Lock

7 pin tumbler Pop Out "T" handle locks with three keys and removable lock cylinders



### Medeco Lock

Medeco stainless steel high security T-Handle lock



### Hanging Hooks

Hanging Hooks can be installed to store everything from helmets to sweaters, backpacks to ponchos. 2 per locker



### Air Flow Grill

Lockers can be supplied with air venting grills to reduce the occurrence of mold and mildew.



### Lexan Window

The "safety View" window in Lexan retains the solid nature of the door but allows an inspector to view inside the locker while keeping weather, liquids and dust out. The Lexan window is 12"x12".



### Steel Grill

The "Safety View" window with a 16 gauge perforated steel, powder coated black surface for maximum visibility retains the solid nature of the door but allows an inspector to view inside the locker. Other special order materials can be specified.