

SNYDER

Equipment, Inc.

Storing, Rolling, Lifting since 1947



Bluff walkramps

2946 Larimer St. Denver, CO 80205

303-295-1100 / 800-373-7693

FAX 303-295-2464

Email info@snyderequipment.com

www.snyderequipment.com



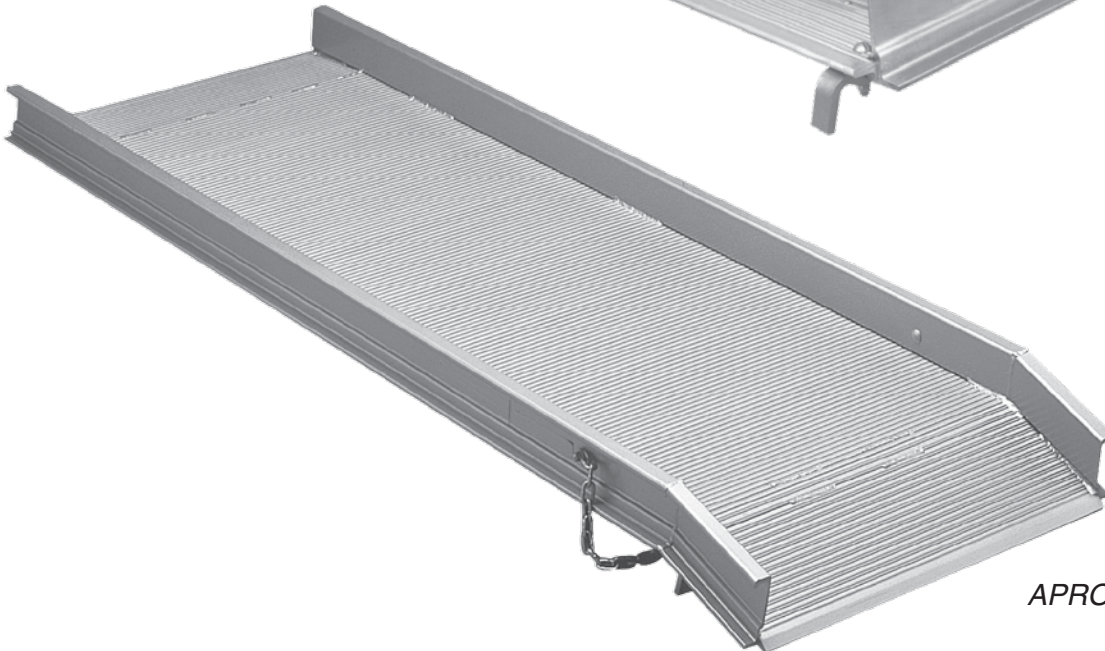
BLUFF
MANUFACTURING, INC.

Walk Ramps

Lightweight, yet strong – for safe and secure foot traffic



HOOK MODEL



APRON MODEL

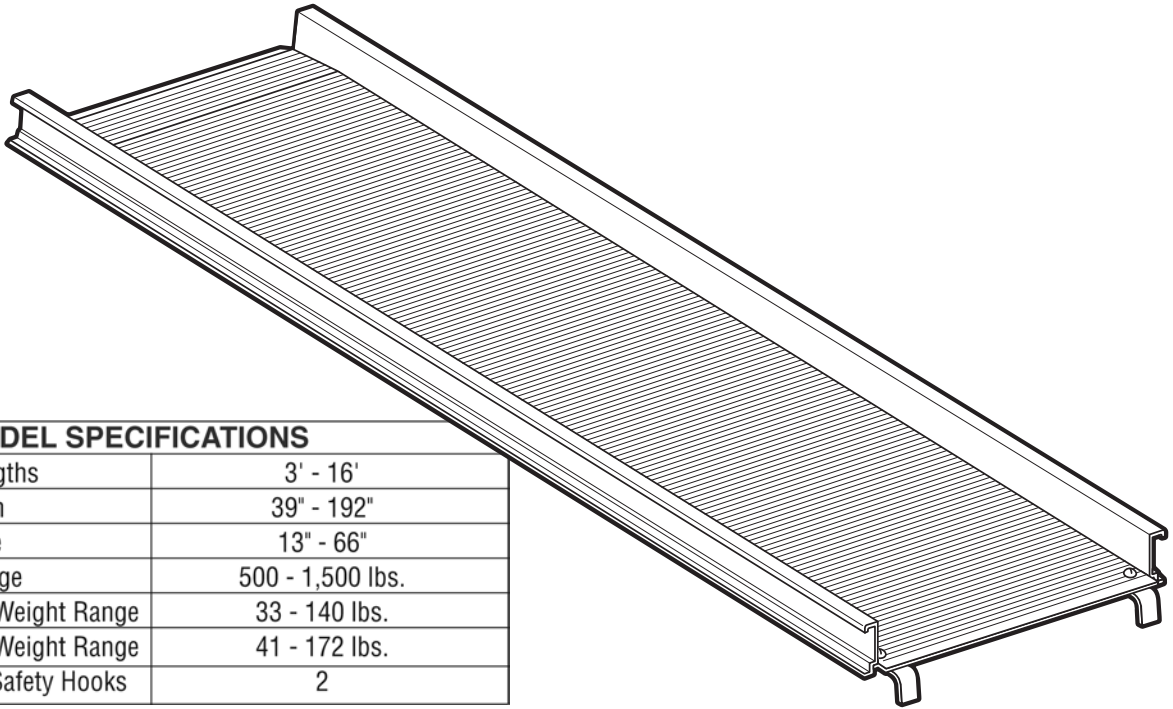
WALK RAMPS

- Twin-tooth deck for better traction when traveling in either direction
- Strong, lightweight aluminum construction makes ramps easily portable and convenient
- All apron models complete with 8" apron; 3 1/4" position stop; safety chains
- All hook models complete with two heavy-duty safety hooks

Note: Walk ramps are not made for powered equipment or pallet jack use. Walk ramps are intended for foot traffic use only.

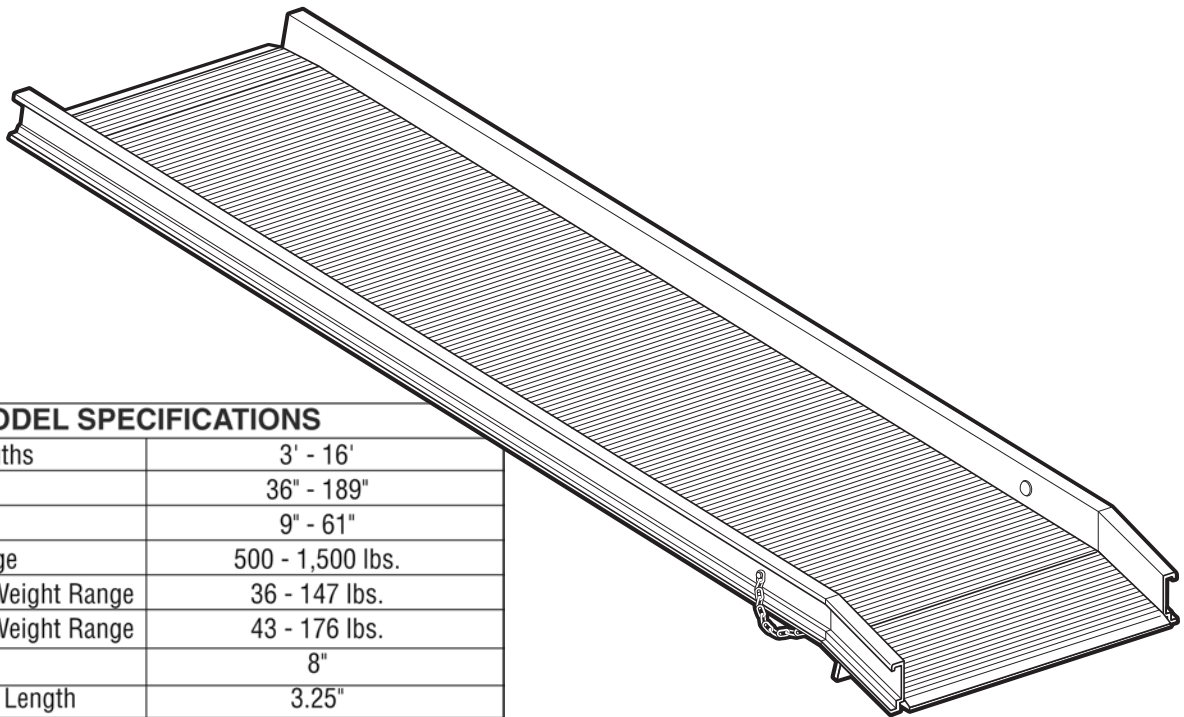
SERVICE YOU CAN STAND ON

WALK RAMPS



HOOK MODEL SPECIFICATIONS

Nominal Lengths	3' - 16'
Actual Length	39" - 192"
Height Range	13" - 66"
Capacity Range	500 - 1,500 lbs.
2900 Series Weight Range	33 - 140 lbs.
3900 Series Weight Range	41 - 172 lbs.
Heavy-Duty Safety Hooks	2



APRON MODEL SPECIFICATIONS

Nominal Lengths	3' - 16'
Actual Length	36" - 189"
Height Range	9" - 61"
Capacity Range	500 - 1,500 lbs.
2900 Series Weight Range	36 - 147 lbs.
3900 Series Weight Range	43 - 176 lbs.
Apron Size	8"
Position Stop Length	3.25"
Safety Chains	36"