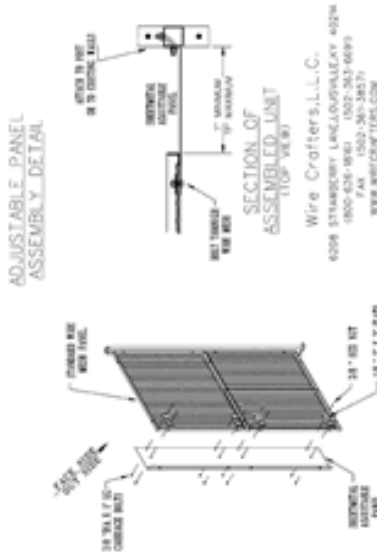


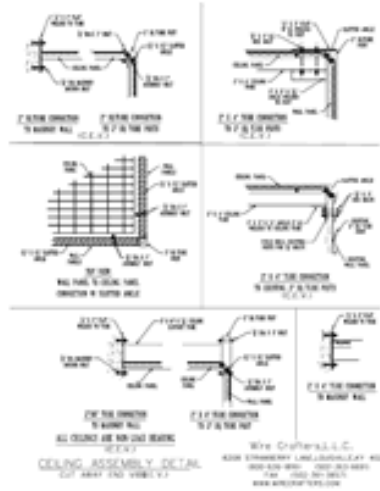
- WIRE PARTITION
- DOOR LOCKS
- RACK BACK
- GUARDS / BARRIERS
- DEA APPROVED ENCLOSURES
- VERTICAL LIFT ENCLOSURES
- MEZZA-RAIL
- STORAGE LOCKERS
- MESH

[Terms & Conditions](#) | [Warranty](#) | [Standard Drawings](#)

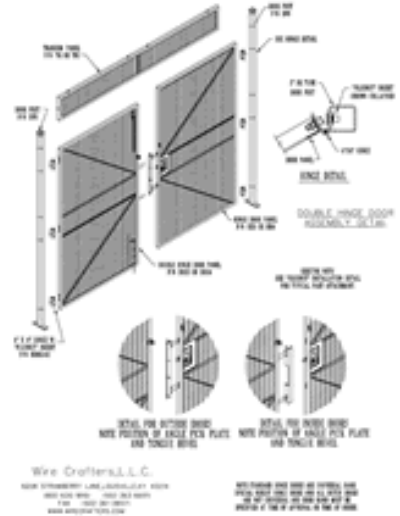
## Standard Drawings



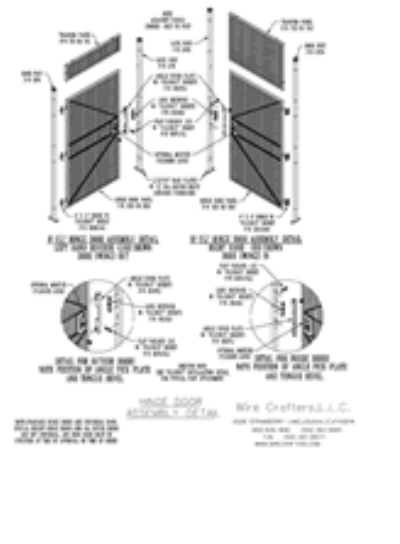
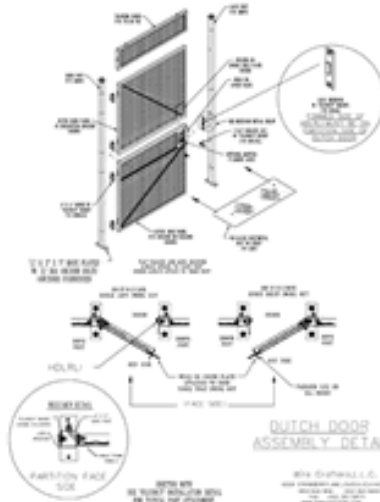
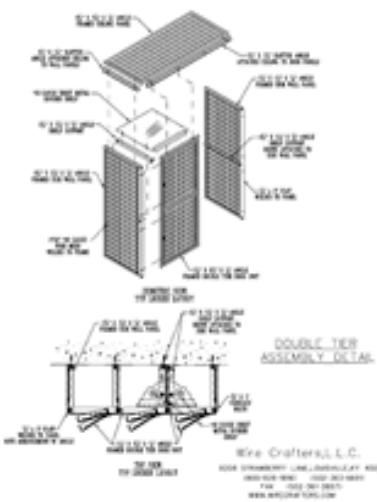
Adjustable panel detail



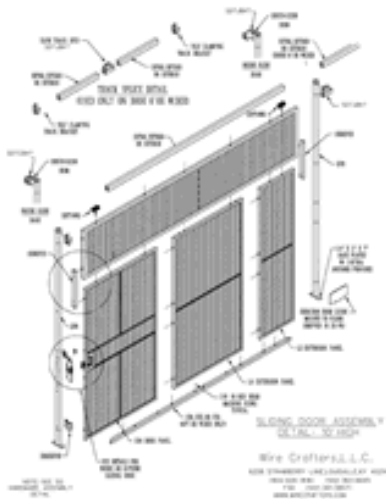
Ceiling assembly detail



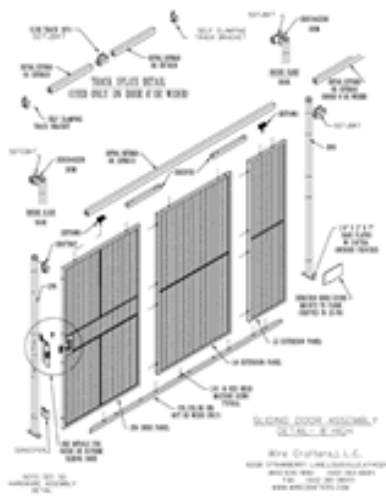
Double hinge door assembly details



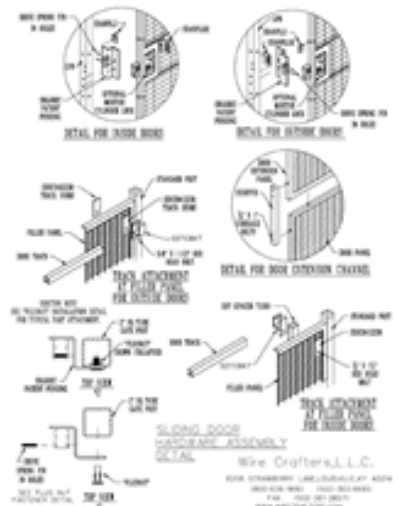




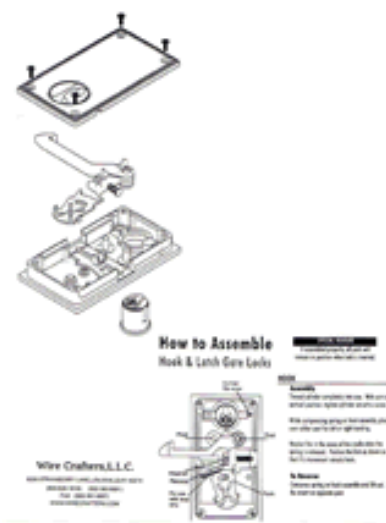
Sliding door assembly detail 10' high



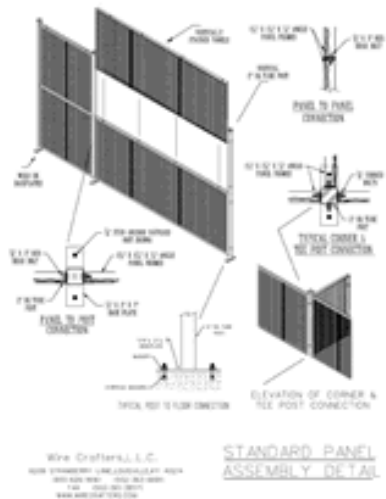
Sliding door assembly detail 8' - high



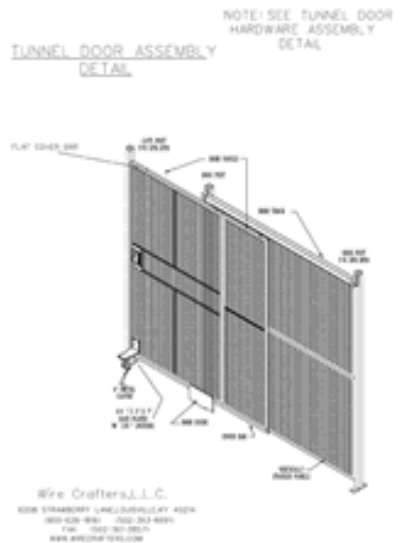
Sliding door hardware assembly detail



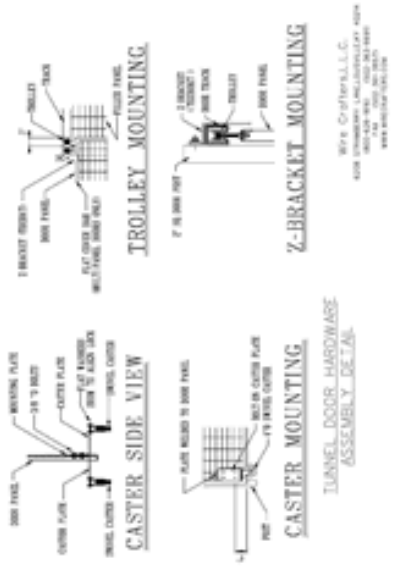
Sliding lock.



Standard panel assembly detail

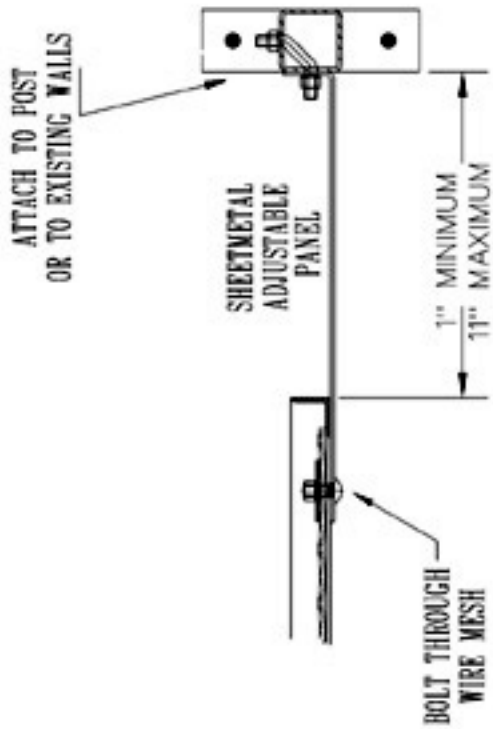
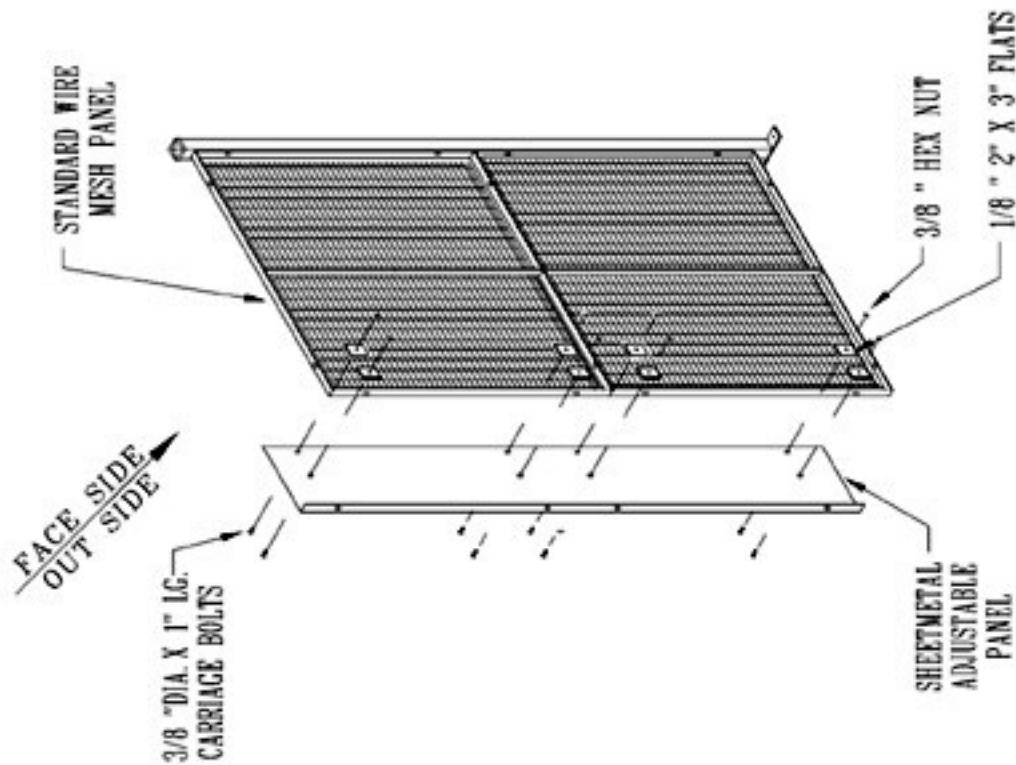


Tunnel door assembly detail



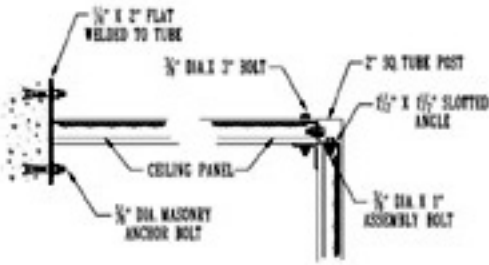
Tunnel door hardware assembly detail

# ADJUSTABLE PANEL ASSEMBLY DETAIL



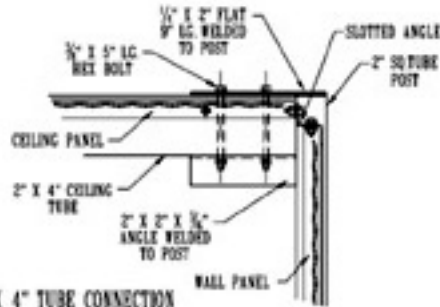
## SECTION OF ASSEMBLED UNIT (TOP VIEW)

Wire Crafters, L.L.C.  
 6208 STRAWBERRY LANE, LOUISVILLE, KY 40214  
 (800-626-1816) (502-363-6691)  
 FAX (502-361-3857)  
 WWW.WIRECRAFTERS.COM

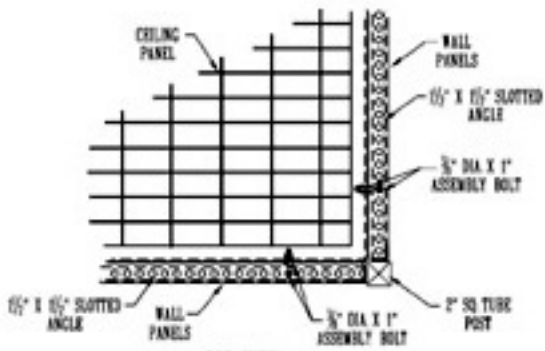


2" SQ TUBE CONNECTION  
TO MASONRY WALL

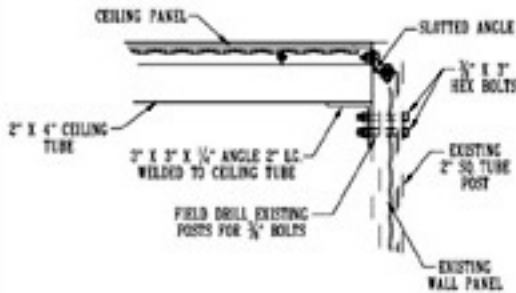
2" SQ TUBE CONNECTION  
TO 2" SQ TUBE POSTS  
(C.E.V.)



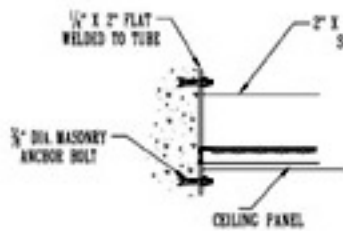
2" X 4" TUBE CONNECTION  
TO 2" SQ TUBE POSTS  
(C.E.V.)



TOP VIEW  
WALL PANEL TO CEILING PANEL  
CONNECTION W/ SLOTTED ANGLE

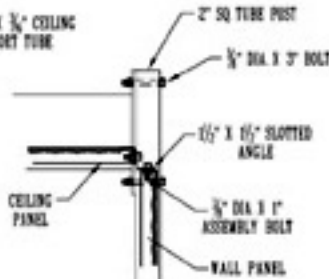


2" X 4" TUBE CONNECTION  
TO EXISTING 2" SQ TUBE POSTS  
(C.E.V.)



2" X 6" TUBE CONNECTION  
TO MASONRY WALL

ALL CEILINGS ARE NON-LOAD BEARING  
(C.E.V.)



2" X 6" TUBE CONNECTION  
TO 2" SQ TUBE POST

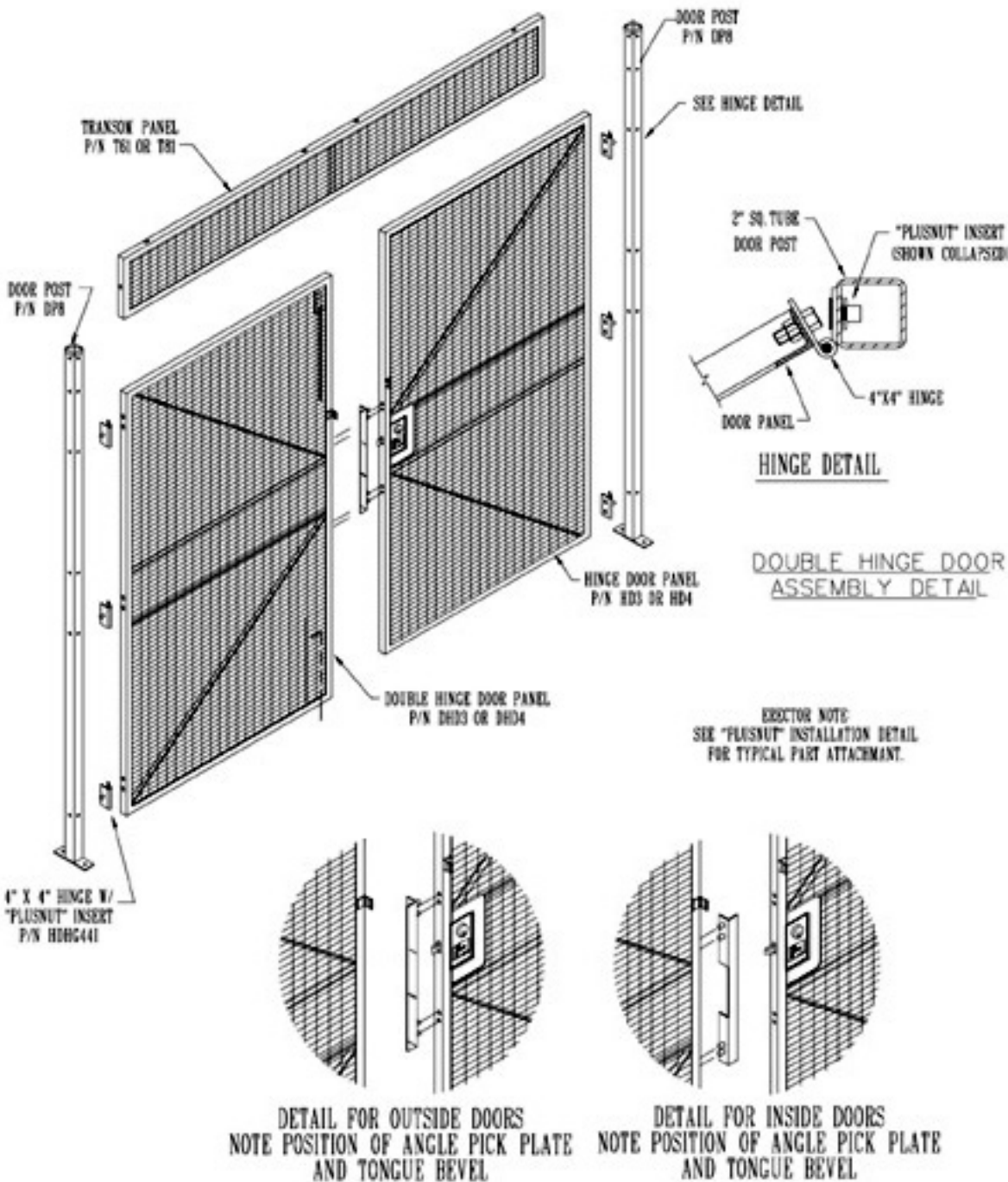


2" X 4" TUBE CONNECTION  
TO MASONRY WALL

**CEILING ASSEMBLY DETAIL**  
CUT AWAY END VIEW (C.E.V.)

Wire Crafters, L.L.C.

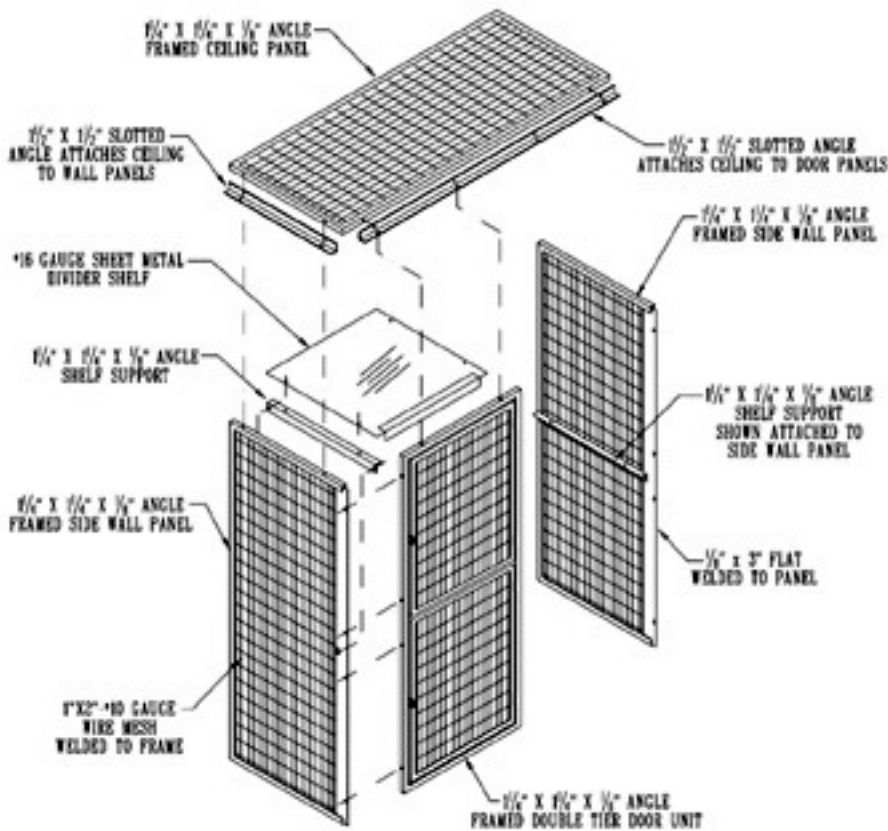
6208 STRAWBERRY LANE, LOUISVILLE, KY 40214  
(800-626-1816) (502-363-6691)  
FAX (502-361-3857)  
WWW.WIRECRAFTERS.COM



### Wire Crafters, L.L.C.

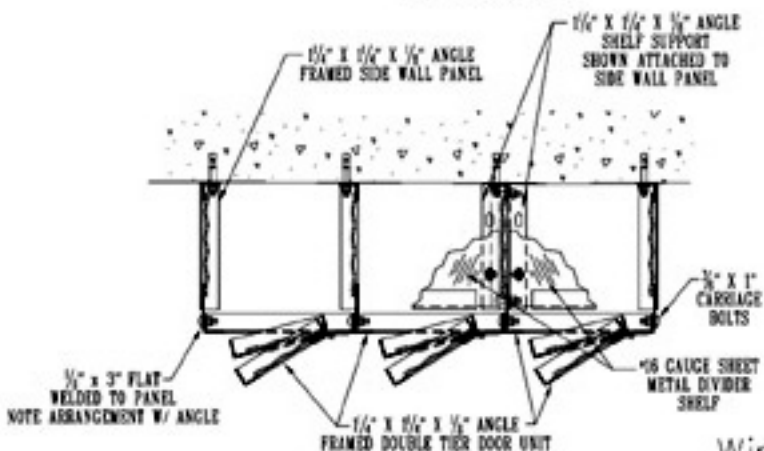
6208 STRAWBERRY LANE, LOUISVILLE, KY 40214  
 (800-626-1816) (502-363-6691)  
 FAX (502-361-3857)  
 WWW.WIRECRAFTERS.COM

NOTE: STANDARD HINGE DOORS ARE UNIVERSAL HAND.  
 SPECIAL HEIGHT HINGE DOORS AND ALL DUTCH DOORS  
 ARE NOT UNIVERSAL AND DOOR HAND MUST BE  
 SPECIFIED AT TIME OF APPROVAL OR TIME OF ORDER.



ISOMETRIC VIEW  
TYP. LOCKER LAYOUT

DOUBLE TIER  
ASSEMBLY DETAIL



TOP VIEW  
TYP. LOCKER LAYOUT

Wire Crafters, L.L.C.

6208 STRAWBERRY LANE, LOUISVILLE, KY 40214

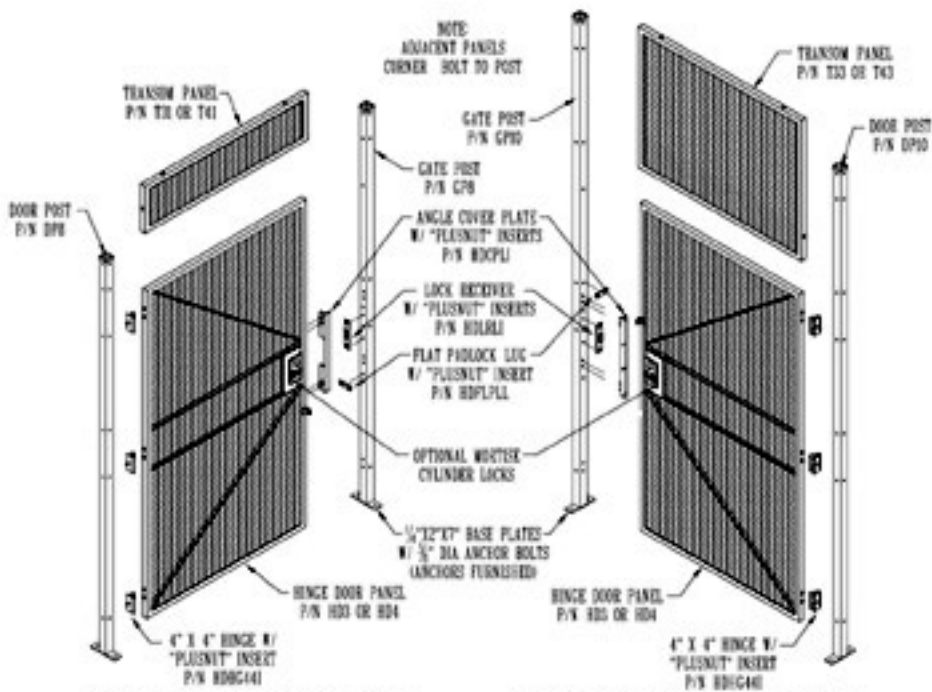
(800-626-1816) (502-363-6691)

FAX (502-361-3857)

WWW.WIRECRAFTERS.COM

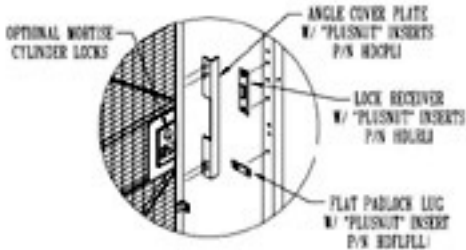






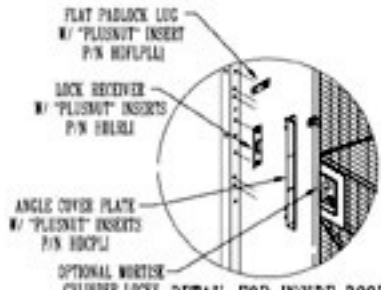
**8'-5/8" HINGE DOOR ASSEMBLY DETAIL**  
LEFT HAND REVERSE (LHR) SHOWN  
DOOR SWINGS OUT

**10'-5/8" HINGE DOOR ASSEMBLY DETAIL**  
RIGHT HAND (RH) SHOWN  
DOOR SWINGS IN



**DETAIL FOR OUTSIDE DOORS**  
NOTE POSITION OF ANGLE PICK PLATE  
AND TONGUE BEVEL

ERECTOR NOTE:  
SEE "PLUSNUT" INSTALLATION DETAIL  
FOR TYPICAL PART ATTACHMENT.



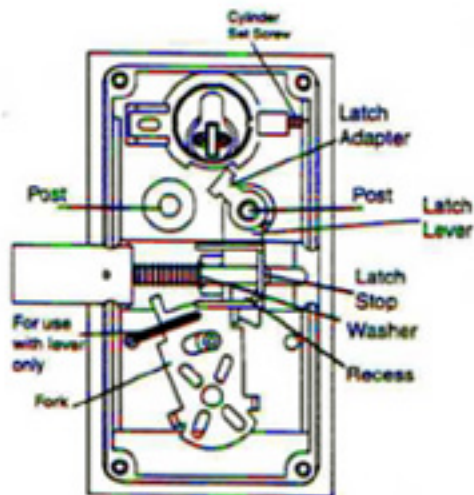
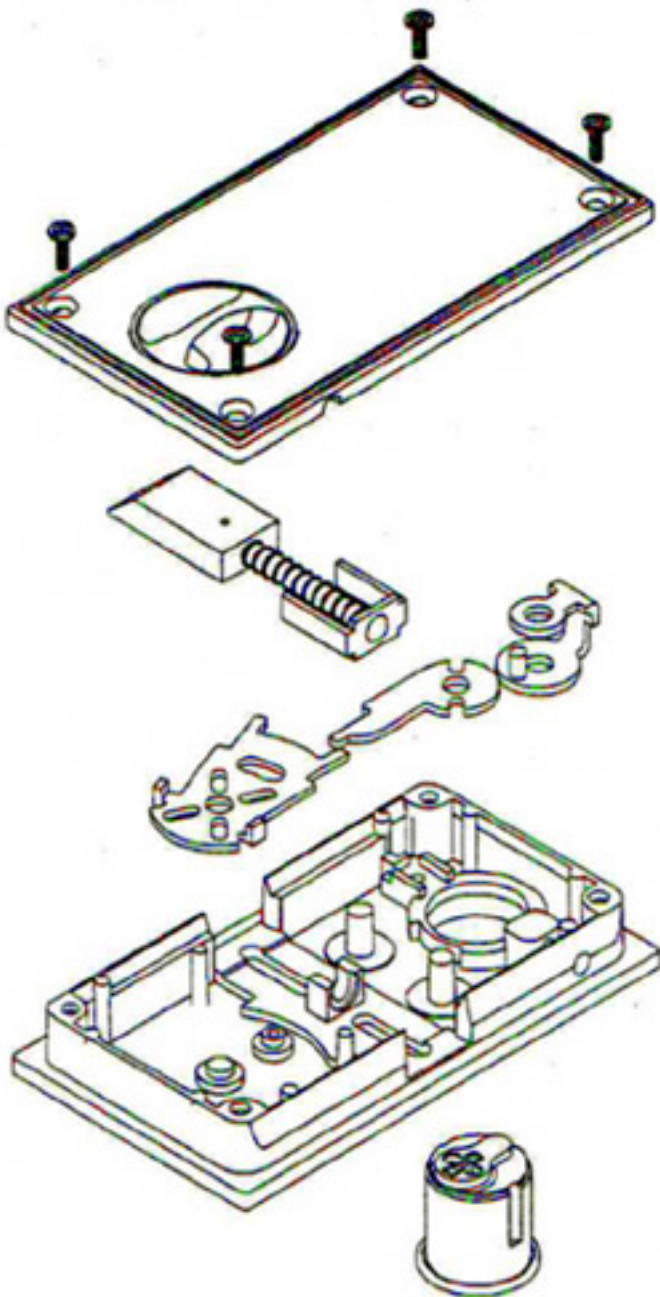
**DETAIL FOR INSIDE DOORS**  
NOTE POSITION OF ANGLE PICK PLATE  
AND TONGUE BEVEL

**HINGE DOOR  
ASSEMBLY DETAIL**

Wire Crafters, L.L.C.

NOTE: STANDARD HINGE DOORS ARE UNIVERSAL HAND.  
SPECIAL HEIGHT HINGE DOORS AND ALL BUTCH DOORS  
ARE NOT UNIVERSAL AND DOOR HAND MUST BE  
SPECIFIED AT TIME OF APPROVAL OR TIME OF ORDER.

6208 STRAWBERRY LANE, LOUISVILLE, KY 40214  
(800-626-1816) (502-363-6691)  
FAX (502-361-3857)  
WWW.WIRECRAFTERS.COM



### LATCH

#### Assembly

Thread cylinder completely into case. With cam in vertical position, tighten cylinder set with a screw.

Engage latch lever with pin on latch adapter and place over either post.

**Note:** Notched end of latch lever must be on outside leg of fork. Retrad washer on latch rod to compress spring. Place in cradle so end of latch stop overlaps edge of latch lever. Washer must fit in recess of cradle when spring is released. Face latch nose in desired direction for swing of door.

#### To Reverse

Compress spring on latch assembly and lift out. Re-position latch lever and latch adapter on opposite post.

Re-insert latch in opposite direction.

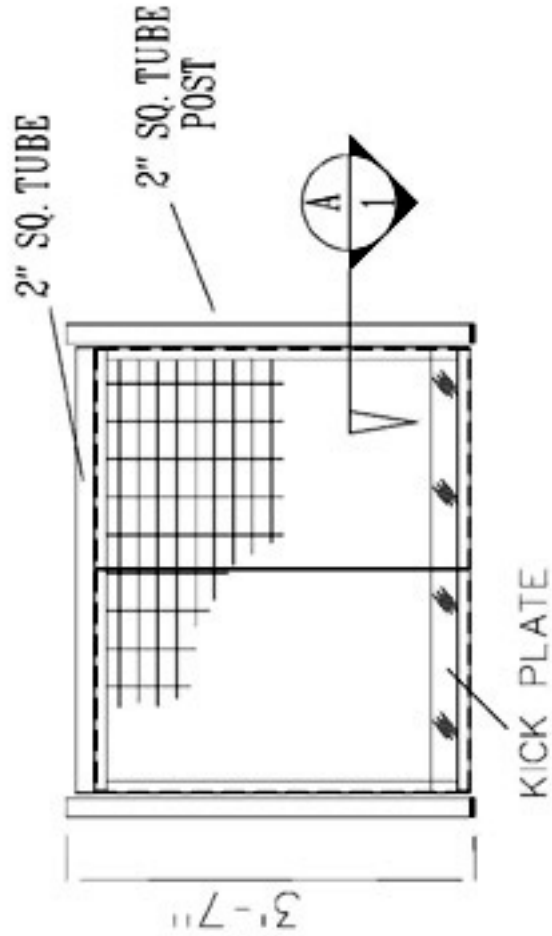
## Wire Crafters, L.L.C.

6208 STRAWBERRY LANE, LOUISVILLE, KY 40214

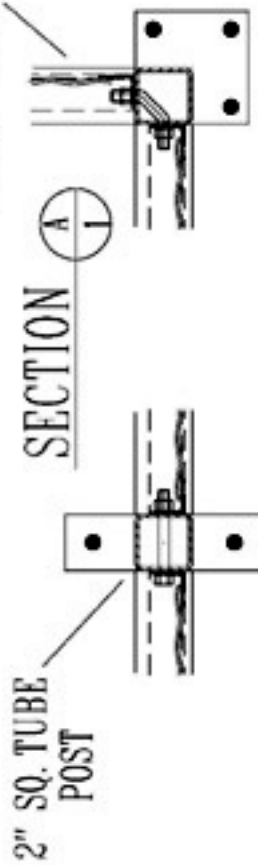
(800-626-1816) (502-363-6691)

FAX (502-361-3857)

WWW.WIRECRAFTERS.COM



**MEZZARAIL WALL PANEL**

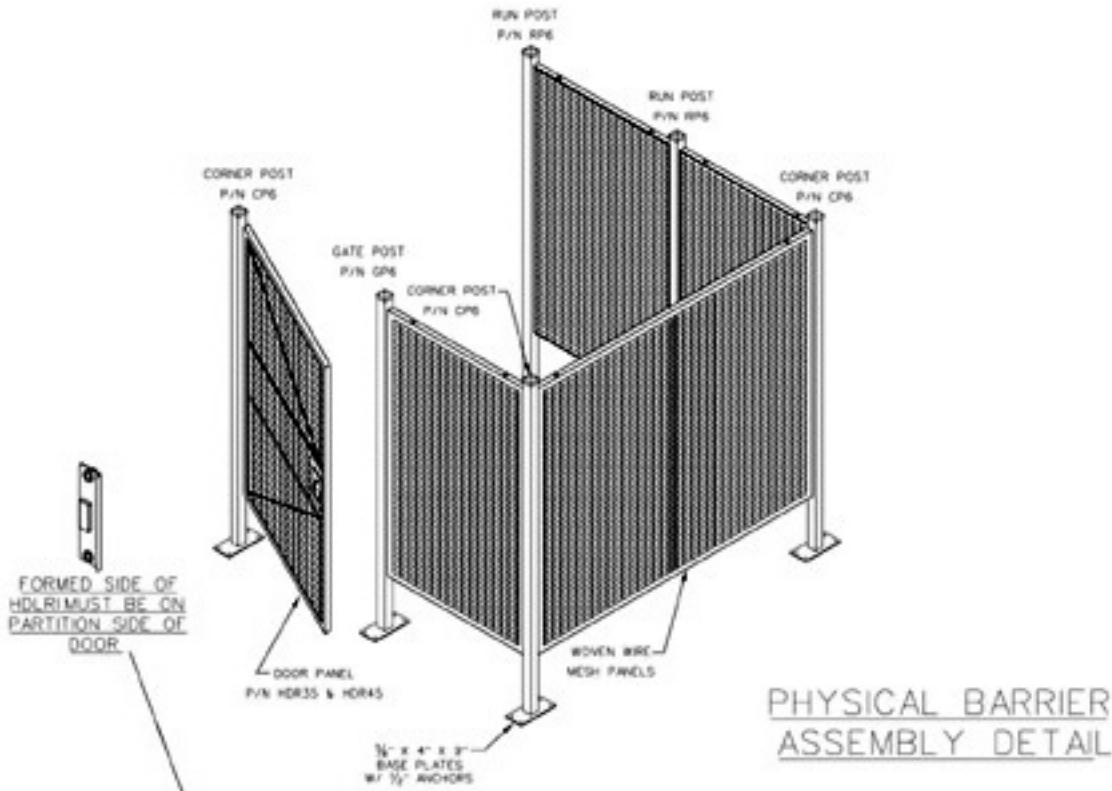


3/8" X 2" X 7"  
 BASEPLATE  
 W/ 9/16" DIA. HOLES  
 1/2" ANCHOR USED  
 FOR INSTALLATION

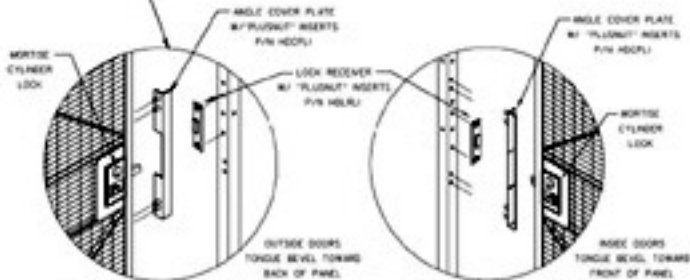
3/8" X 4" X 4"  
 BASEPLATE  
 W/ 9/16" DIA. HOLES  
 1/2" ANCHOR USED  
 FOR INSTALLATION

**MEZZARAIL ASSEMBLY DETAIL**

Wire Crafters, L.L.C.  
 6208 STRAWBERRY LANE, LOUISVILLE, KY 40214  
 (800-626-1816) (502-363-6691)  
 FAX (502-361-3857)  
 WWW.WIRECRAFTERS.COM

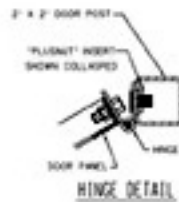
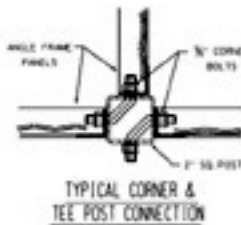
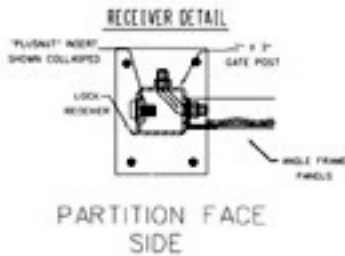
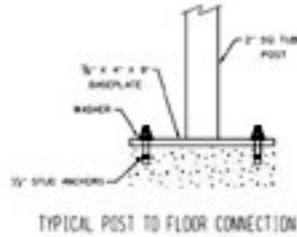


FORMED SIDE OF HDLR MUST BE ON PARTITION SIDE OF DOOR.



DETAIL FOR OUTSIDE DOORS  
NOTE POSITION OF ANGLE PICK PLATE AND TONGUE BEVEL.

DETAIL FOR INSIDE DOORS  
NOTE POSITION OF ANGLE PICK PLATE AND TONGUE BEVEL.



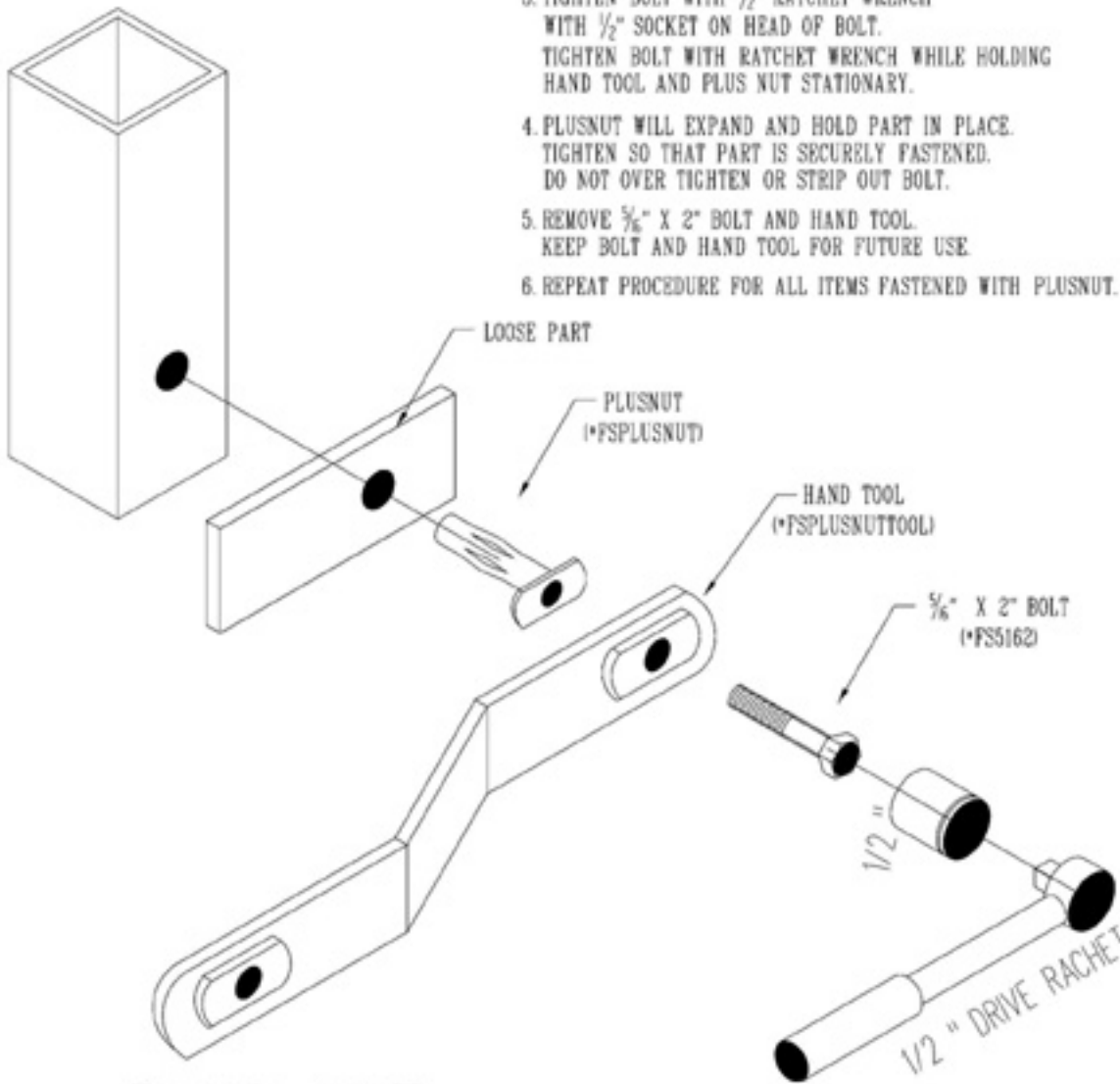
ERECTOR NOTE:  
SEE "PLUGKIT" INSTALLATION DETAIL FOR TYPICAL PART ATTACHMENT.

Wire Crafters, L.L.C.

6208 STRAWBERRY LANE, LOUISVILLE, KY 40214  
(800-626-1816) (502-363-6691)  
FAX (502-361-3857)  
WWW.WIRECRAFTERS.COM

ERECTOR'S NOTE  
RECOMMENDED INSTRUCTIONS FOR USE OF PLUSNUT

1. INSERT PLUSNUT THROUGH PART TO BE ATTACHED AND INTO POST OR DOOR.
2. FIT HAND TOOL OVER PLUSNUT FLANGE AND SCREW  $\frac{3}{8}$ " X 2" BOLT THROUGH HAND TOOL AND INTO PLUSNUT.
3. TIGHTEN BOLT WITH  $\frac{1}{2}$ " RATCHET WRENCH WITH  $\frac{1}{2}$ " SOCKET ON HEAD OF BOLT. TIGHTEN BOLT WITH RATCHET WRENCH WHILE HOLDING HAND TOOL AND PLUS NUT STATIONARY.
4. PLUSNUT WILL EXPAND AND HOLD PART IN PLACE. TIGHTEN SO THAT PART IS SECURELY FASTENED. DO NOT OVER TIGHTEN OR STRIP OUT BOLT.
5. REMOVE  $\frac{3}{8}$ " X 2" BOLT AND HAND TOOL. KEEP BOLT AND HAND TOOL FOR FUTURE USE.
6. REPEAT PROCEDURE FOR ALL ITEMS FASTENED WITH PLUSNUT.



PLUS NUT  
FASTENER  
DETAIL

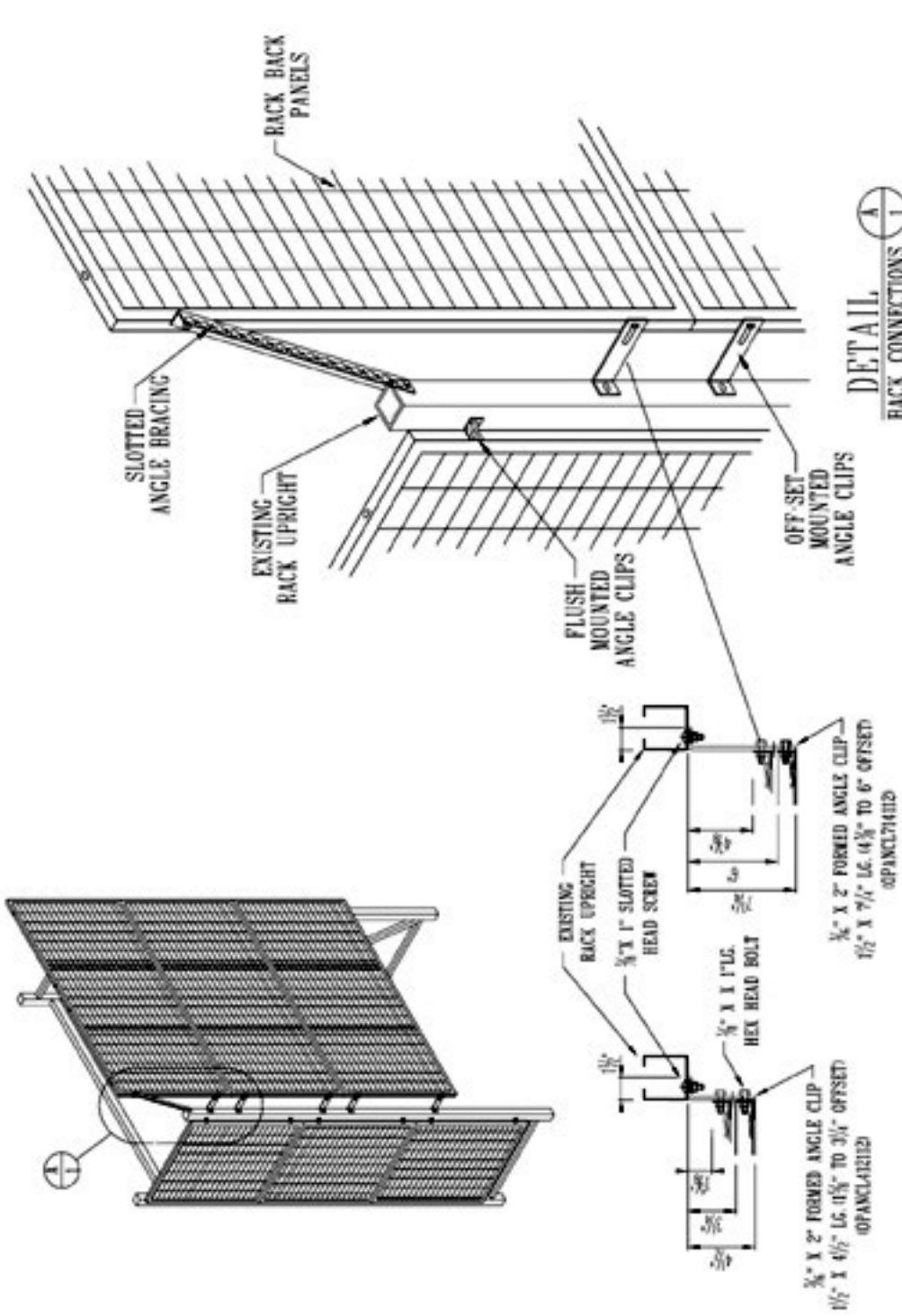
Wire Crafters, L.L.C.

6208 STRAWBERRY LANE, LOUISVILLE, KY 40214

(800-626-1816) (502-363-6691)

FAX (502-361-3857)

WWW.WIRECRAFTERS.COM



DETAIL  
BACK CONNECTIONS

Wire Crafters, L.L.C.  
 6208 STRAWBERRY LANE, LOUISVILLE, KY 40214  
 (800-626-1816) (502-363-6691)  
 FAX (502-361-3857)  
 WWW.WIRECRAFTERS.COM

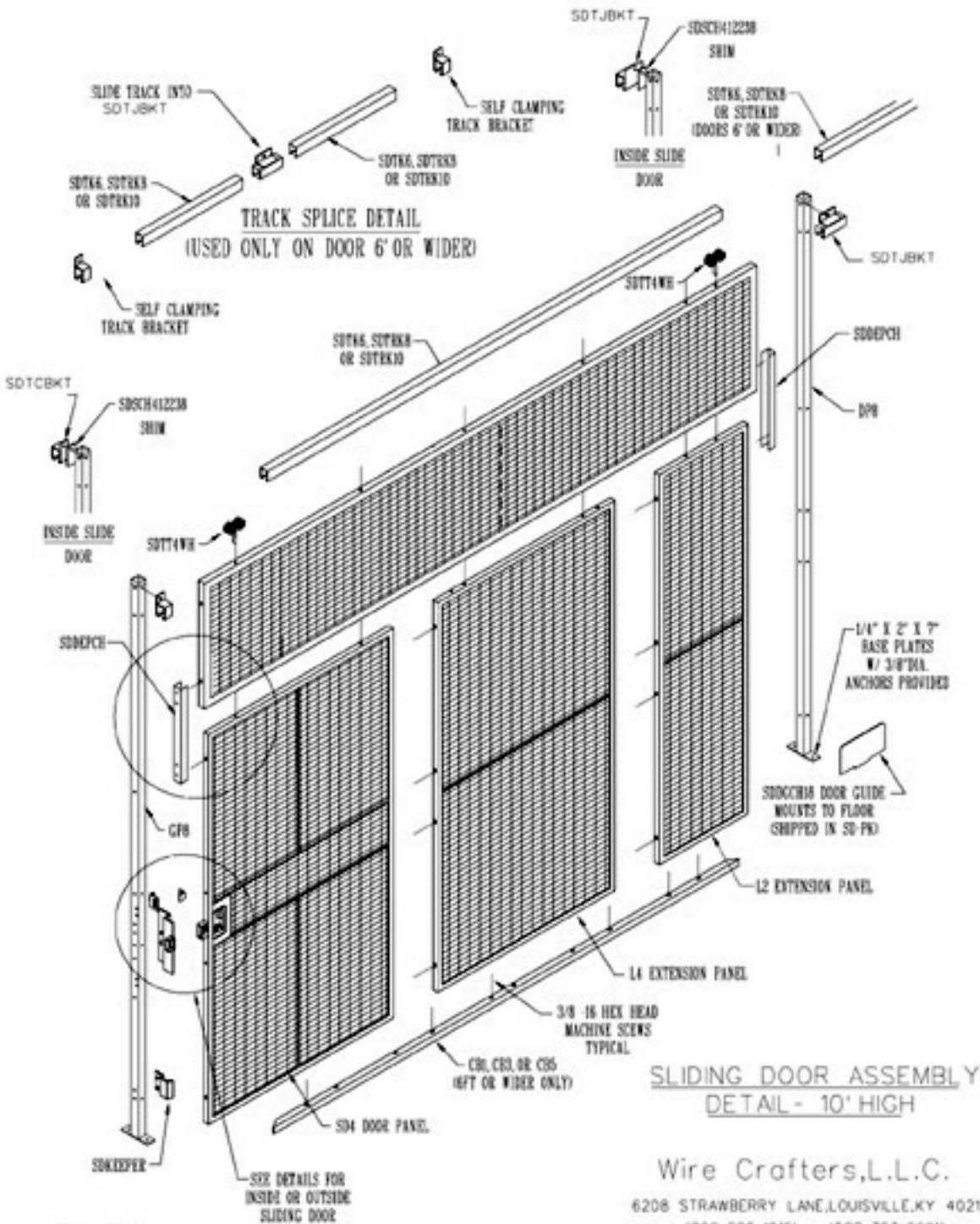
SECTION  
3/8" OFFSET ANGLE CLIP

SECTION  
6" OFFSET ANGLE CLIP

RACK BACK ASSEMBLY DETAIL







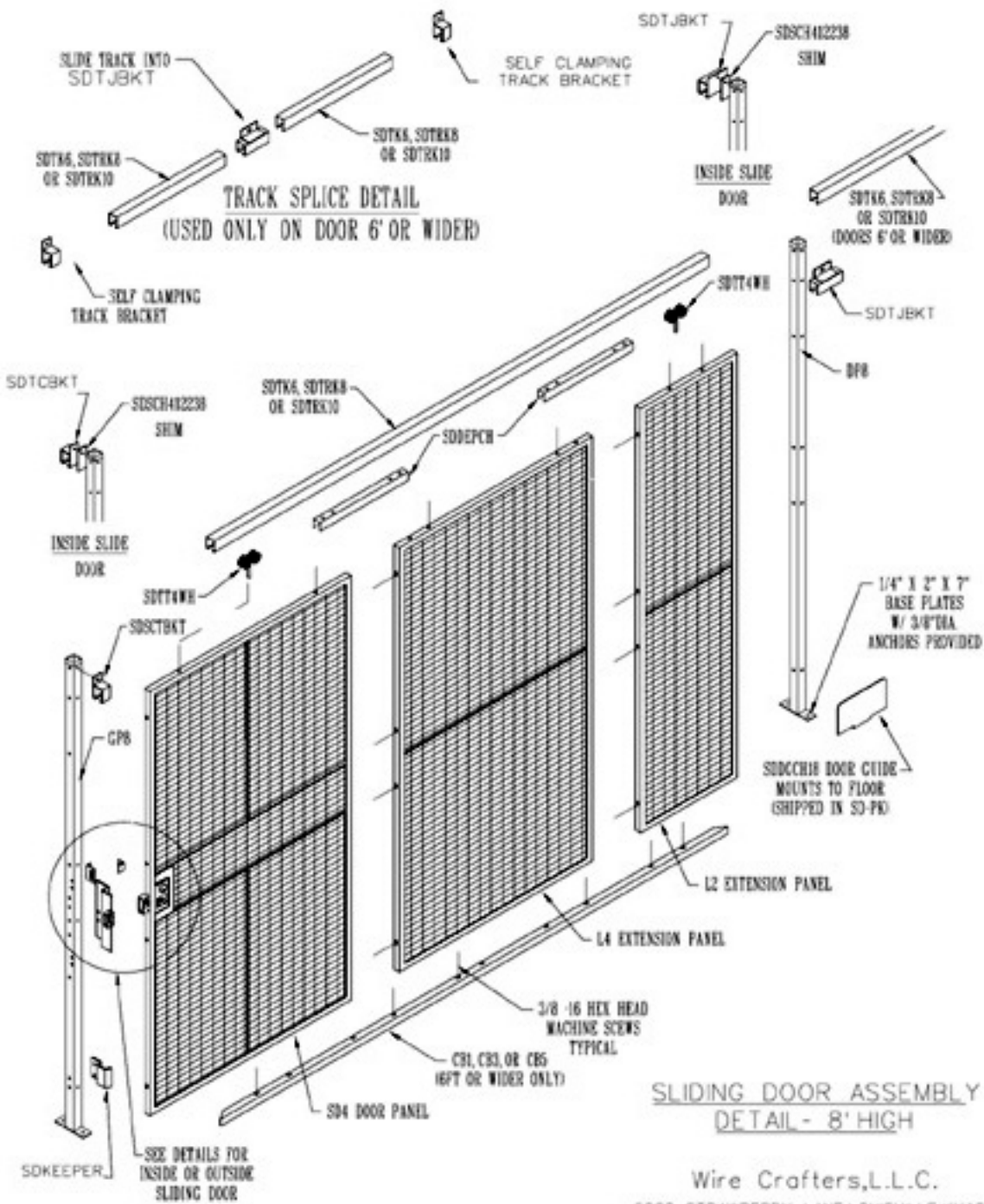
**SLIDING DOOR ASSEMBLY  
DETAIL - 10' HIGH**

Wire Crafters, L.L.C.

6208 STRAWBERRY LANE, LOUISVILLE, KY 40214  
(800-626-1816) (502-363-6691)  
FAX (502-361-3857)  
WWW.WIRECRAFTERS.COM

NOTE: SEE SD  
HARDWARE ASSEMBLY  
DETAIL

SEE DETAILS FOR  
INSIDE OR OUTSIDE  
SLIDING DOOR

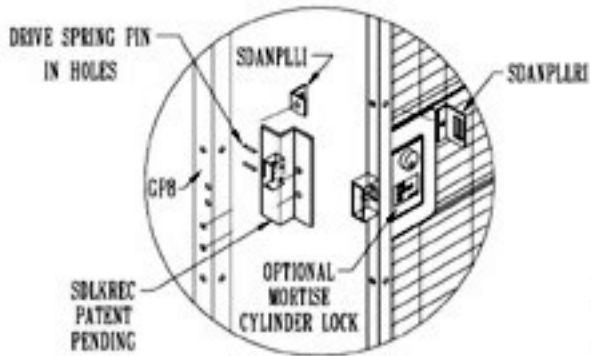


**SLIDING DOOR ASSEMBLY  
DETAIL - 8' HIGH**

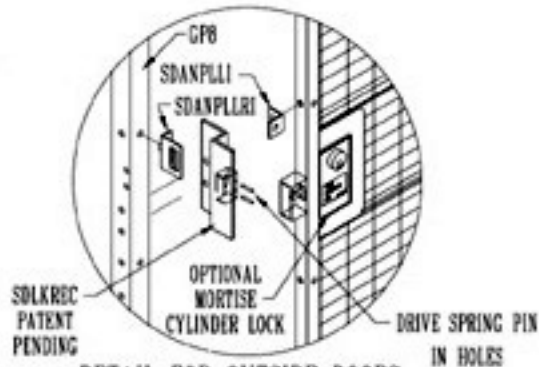
Wire Crafters, L.L.C.

6208 STRAWBERRY LANE, LOUISVILLE, KY 40214  
(800-626-1816) (502-363-6691)  
FAX (502-361-3857)  
WWW.WIRECRAFTERS.COM

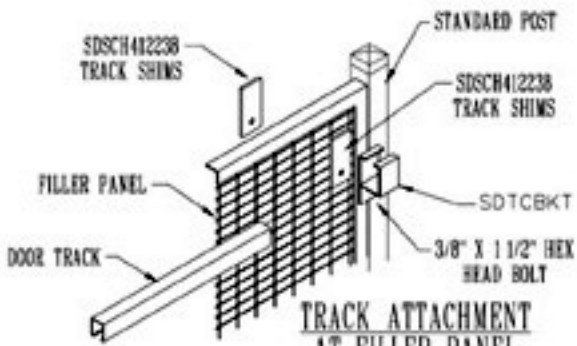
NOTE: SEE SD  
HARDWARE ASSEMBLY  
DETAIL



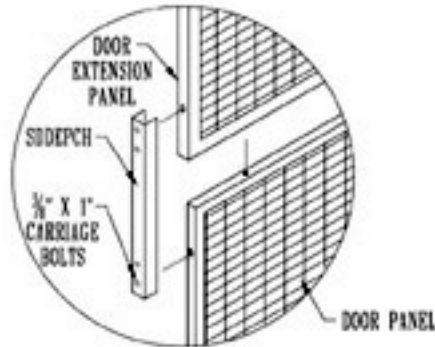
DETAIL FOR INSIDE DOORS



DETAIL FOR OUTSIDE DOORS

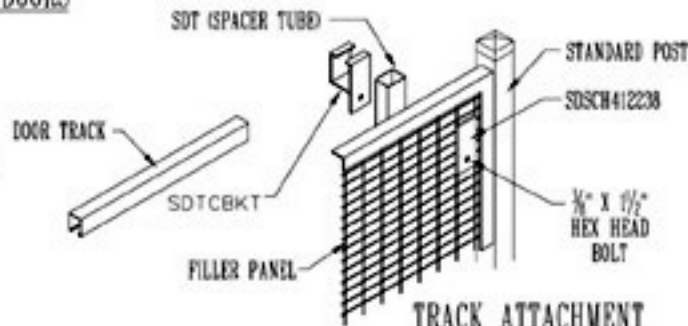
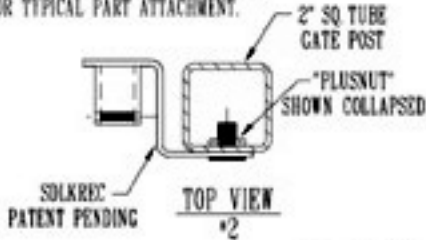


TRACK ATTACHMENT AT FILLER PANEL FOR OUTSIDE DOORS



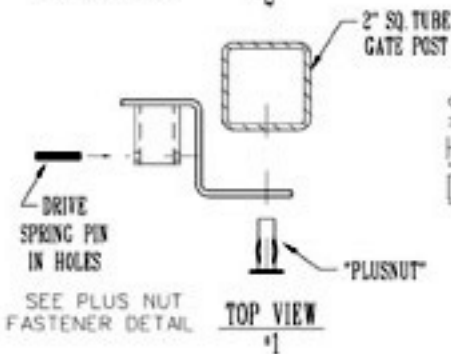
DETAIL FOR DOOR EXTENSION CHANNEL

ERECTOR NOTE:  
SEE "PLUSNUT" INSTALLATION DETAIL FOR TYPICAL PART ATTACHMENT.



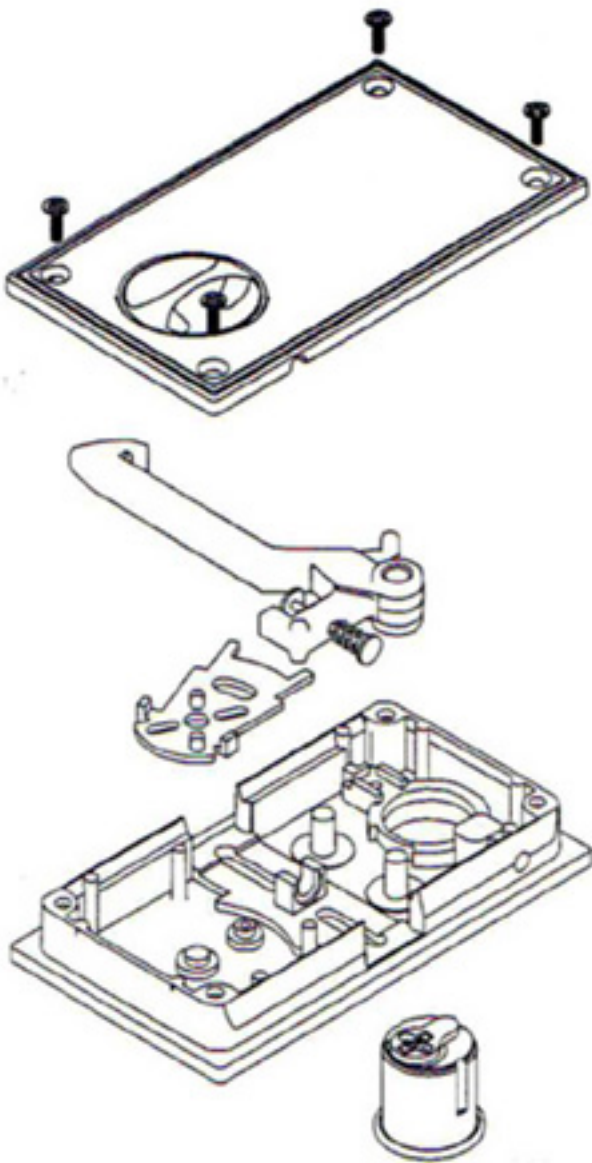
TRACK ATTACHMENT AT FILLER PANEL FOR INSIDE DOORS

SLIDING DOOR HARDWARE ASSEMBLY DETAIL



Wire Crafters, L.L.C.

6208 STRAWBERRY LANE, LOUISVILLE, KY 40214  
(800-626-1816) (502-363-6691)  
FAX (502-361-3857)  
WWW.WIRECRAFTERS.COM



## How to Assemble Hook & Latch Gate Locks

### SPECIAL FEATURE

If assembled properly, all parts will remain in position when lock is inverted.

### HOOK

#### Assembly

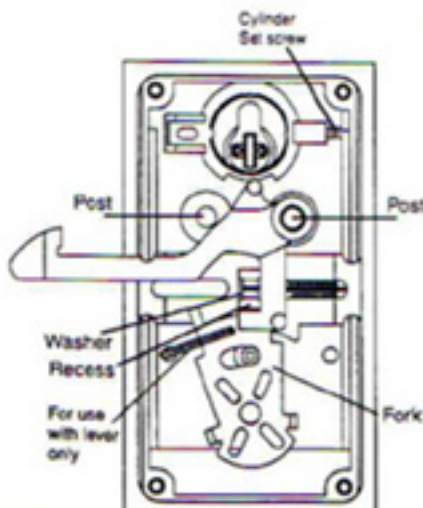
Thread cylinder completely into case. With cam in vertical position, tighten cylinder set with a screw.

While compressing spring on hook assembly, place over either post for left or right handing.

Washer fits in the recess of the cradle when the spring is released. Position the fork as shown so that it's movement retracts hook.

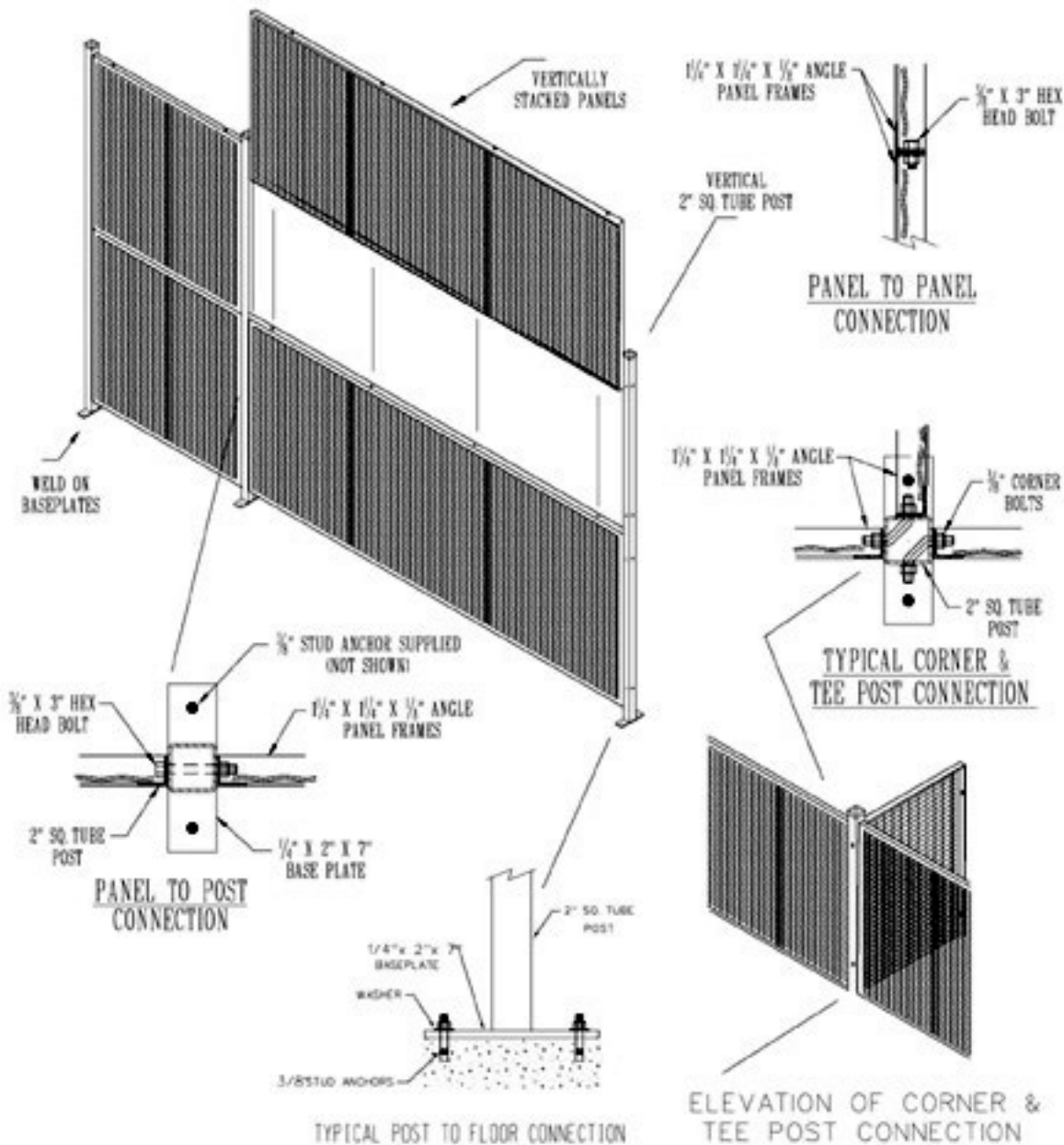
#### To Reverse

Compress spring on hook assembly and lift out. Re-insert on opposite post.



## Wire Crafters, L.L.C.

6208 STRAWBERRY LANE, LOUISVILLE, KY 40214  
 (800-626-1816) (502-363-6691)  
 FAX (502-361-3857)  
 WWW.WIRECRAFTERS.COM



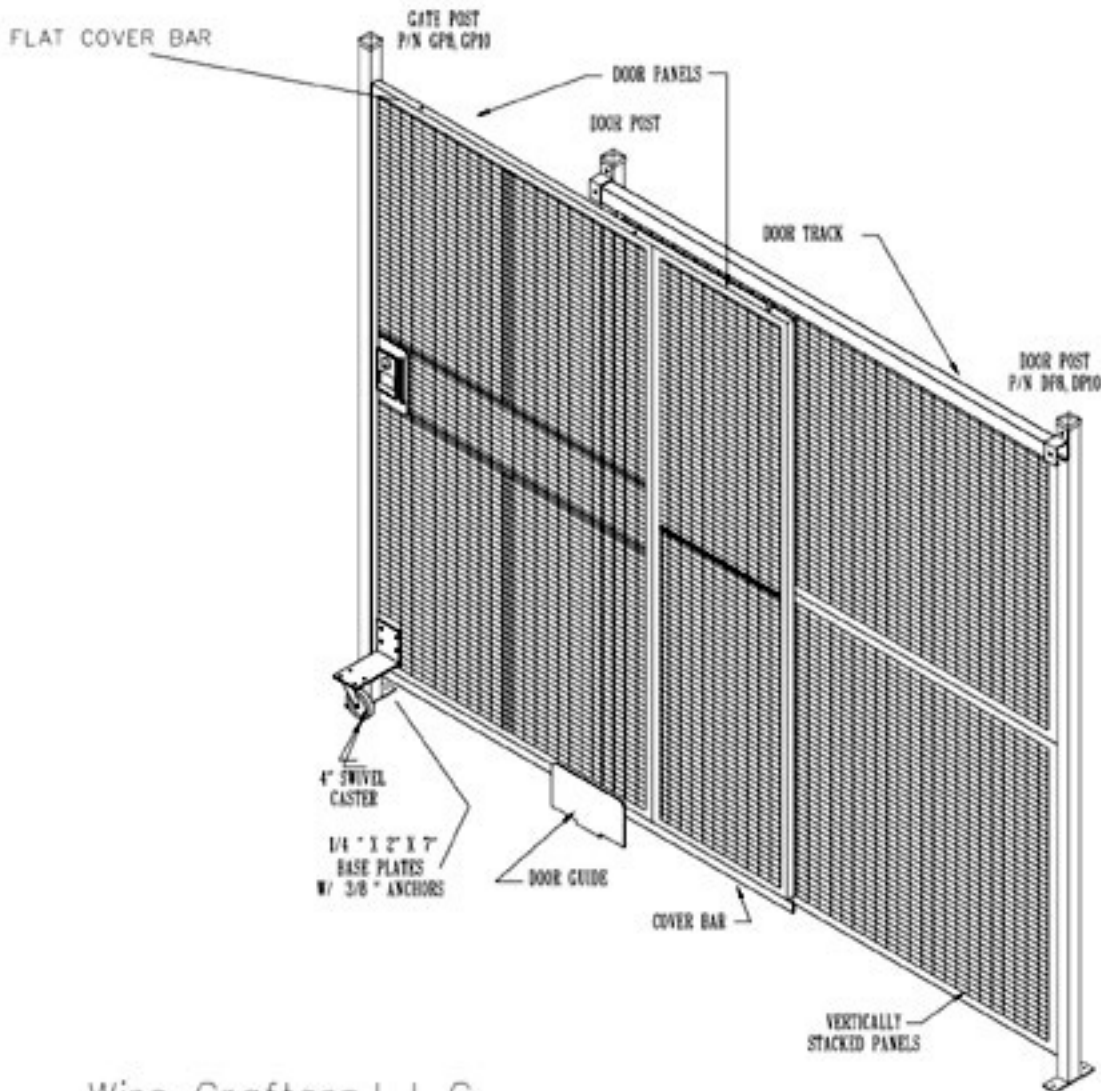
Wire Crafters, L.L.C.

6208 STRAWBERRY LANE, LOUISVILLE, KY 40214  
(800-626-1816) (502-363-6691)  
FAX (502-361-3857)  
WWW.WIRECRAFTERS.COM

## STANDARD PANEL ASSEMBLY DETAIL

NOTE: SEE TUNNEL DOOR  
HARDWARE ASSEMBLY  
DETAIL

TUNNEL DOOR ASSEMBLY  
DETAIL



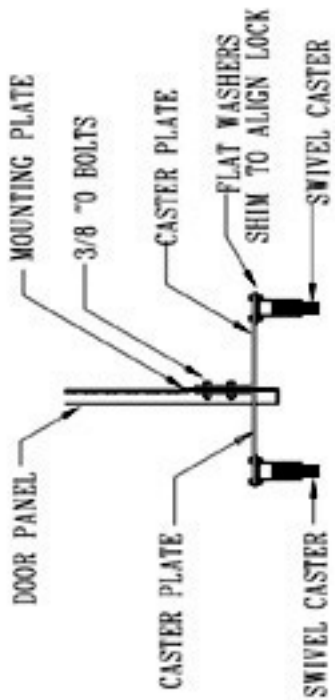
Wire Crafters, L.L.C.

6208 STRAWBERRY LANE, LOUISVILLE, KY 40214

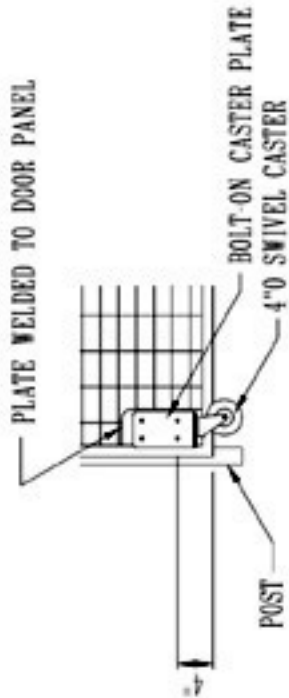
(800-626-1816) (502-363-6691)

FAX (502-361-3857)

WWW.WIRECRAFTERS.COM

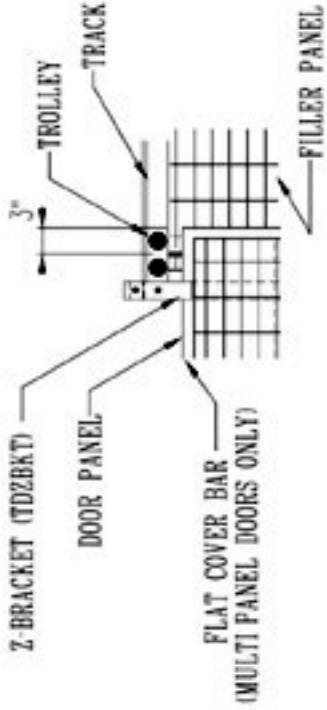


## CASTER SIDE VIEW

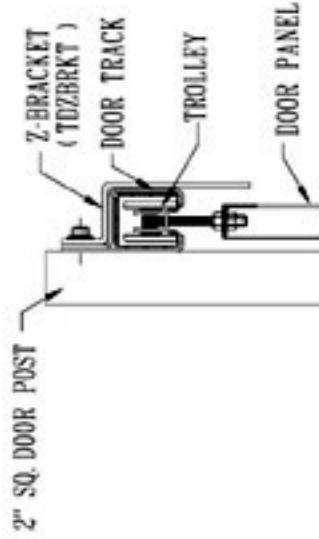


## CASTER MOUNTING

### TUNNEL DOOR HARDWARE ASSEMBLY DETAIL



## TROLLEY MOUNTING



## Z-BRACKET MOUNTING

Wire Crafters, L.L.C.

6208 STRAWBERRY LANE, LOUISVILLE, KY 40214

(800-626-1816) (502-363-6691)

FAX (502-361-3857)

WWW.WIRECRAFTERS.COM