

FIGURE A

NOTE:

- IF YOUR INSTALLATION CONTAINS ANY TENANT COMPARTMENT IN THE BOTTOM ROW, THE MINIMUM HEIGHT FROM THE FLOOR IS 28".
- IF YOUR INSTALLATION CONTAINS NO TENANT COMPARTMENTS IN THE BOTTOM ROW, YOU HAVE THE OPTION TO INSTALL AT A MINIMUM OF 15" FROM THE FLOOR.

	ROUGH OPENING DIMENSIONS	
	DIM 'A'	DIM 'B'
SMCA-04	16"	38"
SMCA-09	16"	38"
SMCA-15	30 1/16"	38"
SMCA-19	30 1/16"	38"
SMCA-P2	16"	38"
SMCC-07	16"	50 1/4"
SMCC-08	16"	50 1/4"
SMCC-16	30 1/16"	50 1/4"
SMCD-02	16"	20 1/2"
SMCD-04	30 1/16"	20 1/2"
SMCD-05	30 1/16"	20 1/2"
SMCD-09	30 1/16"	20 1/2"
SMCD-14	16"	20 1/2"
SMCD-P1	16"	20 1/2"
SMCE-01	16"	27 1/2"
SMCE-06	16"	27 1/2"
SMCE-09	30 1/16"	27 1/2"
SMCE-13	30 1/16"	27 1/2"
SMCF-09	16"	55 1/2"
SMCF-20	30 1/16"	55 1/2"
SMCH-04	16"	39 3/4"
SMCH-09	16"	39 3/4"
SMCH-15	30 1/16"	39 3/4"
SMCH-20	30 1/16"	39 3/4"
SMCH-P2	16"	39 3/4"

ALL DIMENSIONS ARE MINIMUM

INSTALLATION INSTRUCTIONS SMCC-20 (SHOWN)

1. MOUNT BODY TO WALL STUDS THROUGH TOP, AND SIDES WITH #10 x 1-1/4" SHEET METAL SCREWS (QTY. 8).

WHEN MASTER DOORS ARE IN THEIR OPEN POSITION, AND THE HOLD OPEN DEVICES ARE ENGAGED, THE INSTALLER SHALL SEE (8) SLOTS ON THE LEFT AND RIGHT HAND INSIDE OF THE UNIT. THESE ARE THE MOUNTING LOCATIONS FOR THE SHEET METAL SCREWS. THE SHEET METAL SCREWS ARE SUPPLIED, AND FOUND INSIDE THE ARROW COMPARTMENT.
2. THE CENTER OF THE UPPER MOST PATRON LOCK MUST BE NO MORE THAN 67" FROM THE FINISHED FLOOR.
3. THE TOP SURFACE OF THE BOTTOM SHELVES (PARCEL SHELVES) MUST BE NO LESS THAN 15" FROM THE FINISHED FLOOR.
4. THE UNIT MUST BE FULLY FRAMED WITH 2x4 STUDS OR EQUIVALENT.
5. 2x4 FRAME MUST BE FASTENED TO FLOOR.
6. WALL MOUNT OPENING SHOULD BE SQUARE AND OF HIGH QUALITY TO ENSURE UNIT FUNCTIONS PROPERLY AND REMAINS SQUARE.
7. UNIT IS FRONT HEAVY, USE CAUTION WHEN LIFTING AND INSTALLING.

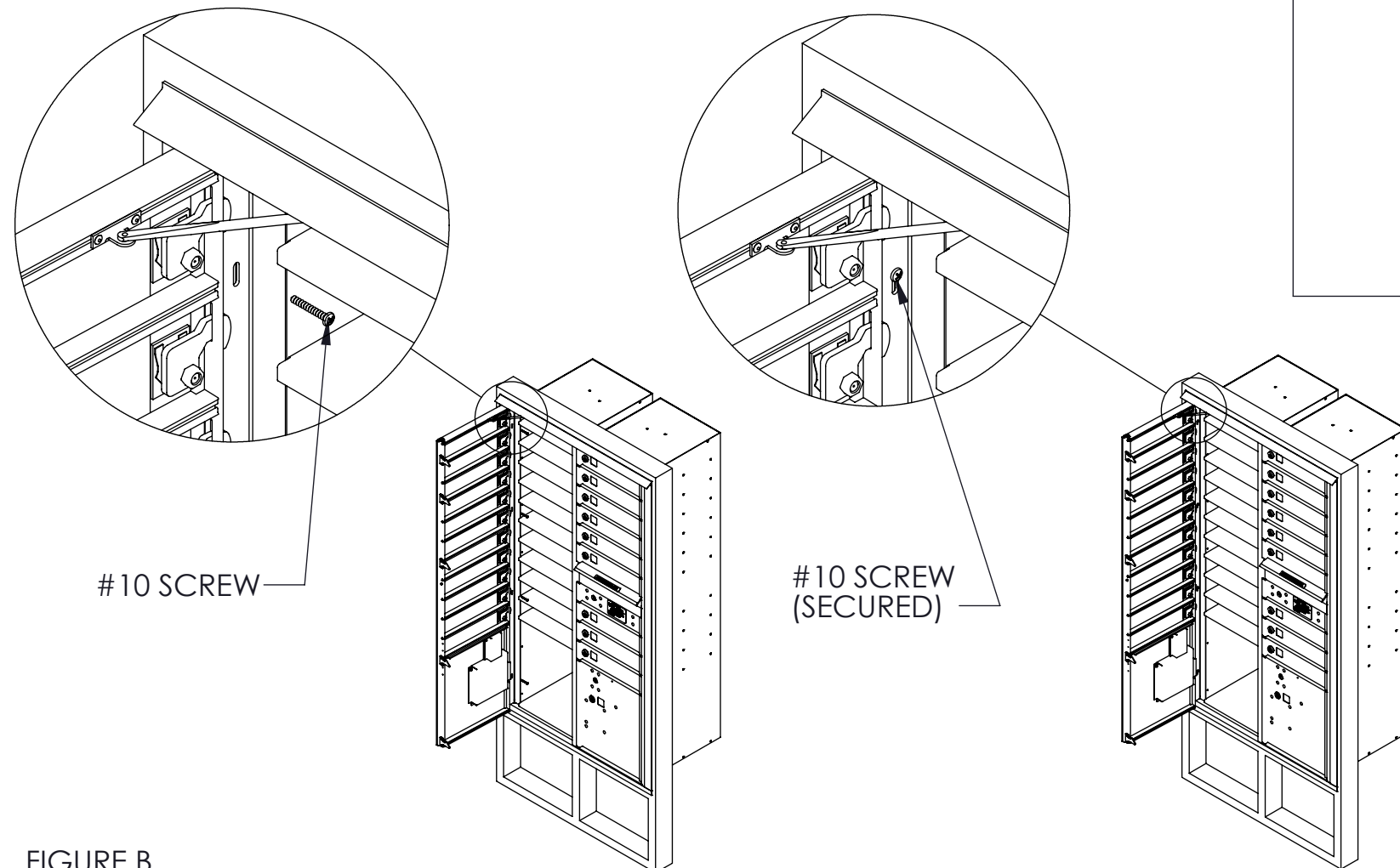


FIGURE B

TOOLS:

1/8" DRILL
PHILLIPS TIP OR SCREWDRIVER

NOTE: MASONRY WALL INSTALLATION

IF INSTALLING IN A MASONRY WALL, BUILD WALL ROUGH OPENING TO DIMENSIONS SHOWN IN FIGURE A. BE SURE THAT THESE ROUGH OPENING DIMENSIONS ARE MAINTAINED WHETHER USING WOOD FRAMING IN THE MASONRY WALL OR WITHOUT WOOD FRAMING. IF NECESSARY TO USE WOOD FRAMING, NO FRAMING IS NEEDED ON TOP AND BOTTOM OF OPENING. USE 1X4 STUDS ON PERIMETER OF UNITS, AND 2X4 STUDS IN BETWEEN UNITS.

FASTEN USING ANCHOR BOLTS.