

BROADWAY RACK

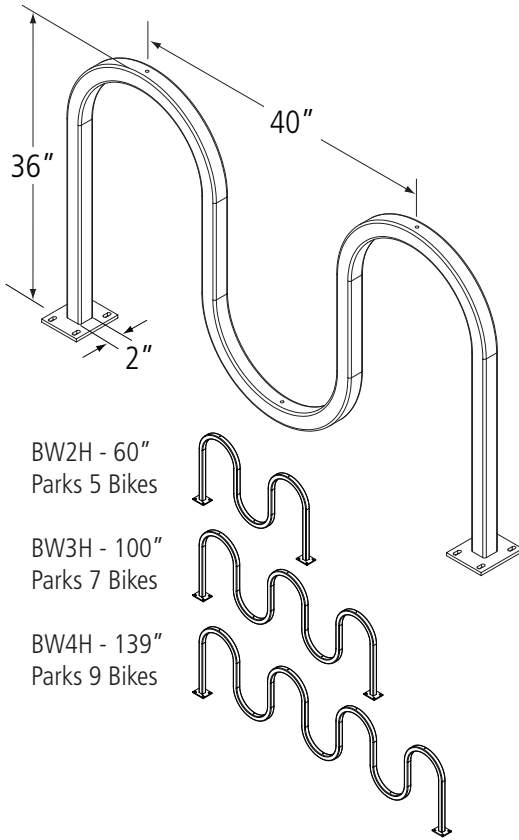
- *Highest Security*
- *Generous Spacing between Bikes*
- *Anti-theft Hardware Included*

The Broadway Rack is a great fit on Broadway or in areas where maximum security is a top priority. Made of thick, two-inch square steel, the Broadway Rack renders pipe-cutters useless. The Broadway Rack also offers the aesthetic simplicity of a wave-style rack with generous spacing for easy access to bikes. Break-a-way nuts or concrete spike anti-theft hardware options are included with the Broadway Rack.



BROADWAY RACK

Specifications and Space Use



Product

Dero Broadway Rack
As manufactured by Dero Bike Racks

BW2H: 5 Bikes
BW3H: 7 Bikes
BW4H: 9 Bikes

Materials



2" x 2" x 1/4" square tube

Finishes



An after fabrication hot dipped galvanized finish is standard. 250 TGIC powder coat colors and a stainless steel option are also available.

Our powder coat finish assures a high level of adhesion and durability by following these steps:

1. Sandblast
2. Iron phosphate pretreatment
3. Epoxy primer electrostatically applied
4. Final thick TGIC polyester powder coat

Stainless Steel: 304 grade stainless steel material finished in either a high polished shine or a satin finish.

A rubbery PVC Dip is also available

Installation Methods



In ground mount is embedded into concrete base. Specify in ground mount for this option.

Foot mount has two 5.25" x 5.5" foot plates with 4 anchors per foot. Specify foot mount for this option.

A **rail mounted** (freestanding) option is also available.

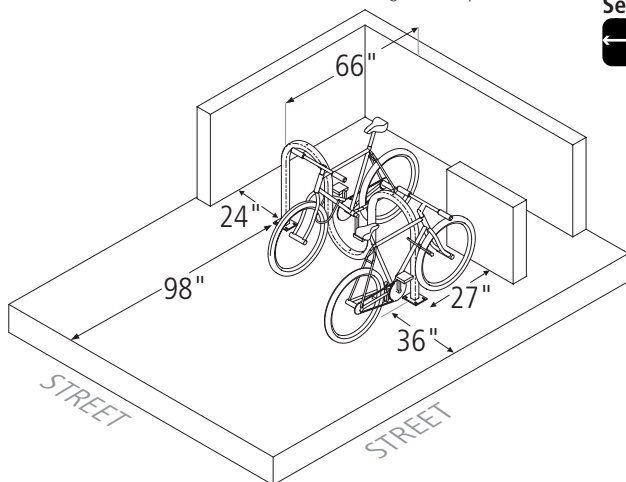
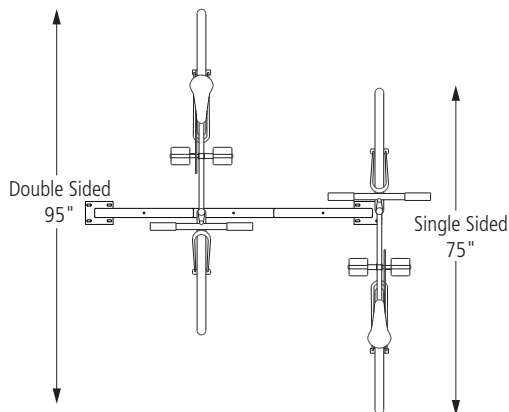
Space Use and Setbacks



Wall Setback: A minimum of 27" should be left between the wall and the long side of the rack. 36" is the recommended setback.

Street Setback: For racks set parallel to the street, a 98" setback is recommended. For racks installed perpendicular to the street, 24" is the minimum setback. 36" is recommended.

Between Racks: For racks set next to each other, 24" is the minimum setback. 36" is recommended.





Tools Needed for Installation

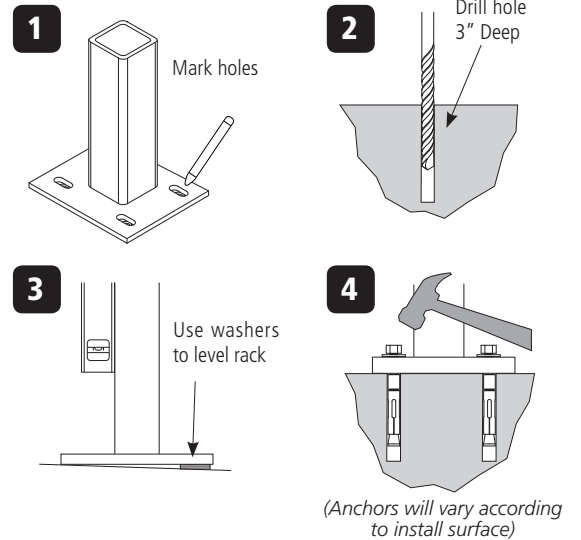
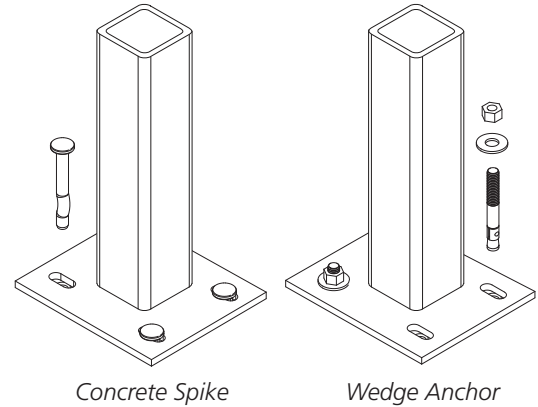
- Tape Measure
- Marker or Pencil
- Masonry Drill Bit
- Drill (Hammer drill recommended)
- Hammer
- Wrench or ratchet 9/16"
- Level

Recommended Base Materials:

Solid concrete is the best base material for installation. Ask your Dero Rack representative which anchor is appropriate for your application to ensure the proper anchors are shipped with your rack. Be sure nothing is underneath the base material that could be damaged by drilling.

Installation:

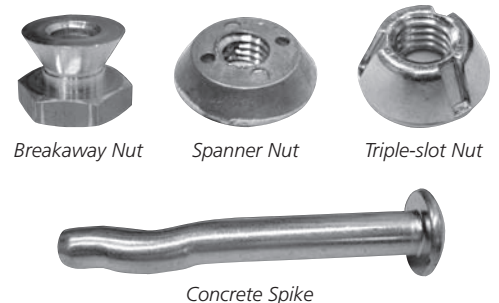
3/8" anchors are shipped with the rack. Place the rack in the desired location. Use a marker or pencil to outline the holes of the flange onto the base material. Drill the holes in accordance with the specifications shipped with the anchors. Make sure the holes are at least 6" away from any cracks in the base material.



Tamper Resistant Fasteners

The concrete spike is a permanent anchor. The top of the wedge anchor can also be pounded sideways after installation so that it cannot be removed. Other tamper resistant fasteners are also available for purchase.

When using the special tamper resistant nuts, always set and first tighten the anchors. Once the rack is installed, replace two nuts from the bracket (opposite sides from each other) with the tamper resistant fastener. **DO NOT OVERTIGHTEN** the tamper resistant nut.



If you have any questions about installation or other features of the Broadway Rack, please call us toll free at 1-800-298-4915

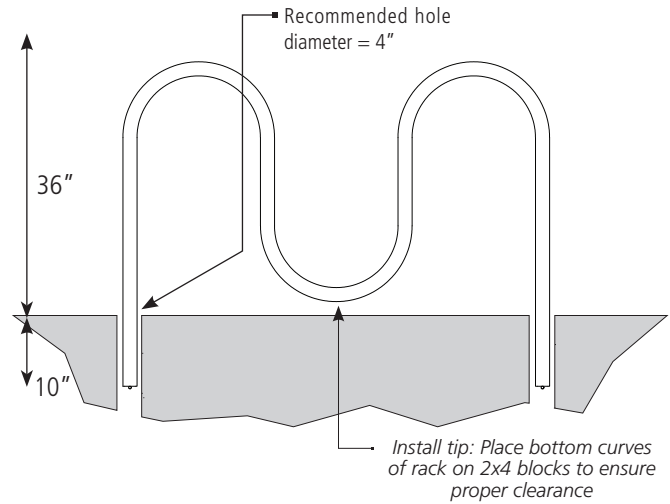


Tools needed for installation

Level	Hole coring machine with 4" bit
Cement mixing tub	Access to water hose
Shovel	Materials to build brace (see "Install Tip" at bottom of page)
Trowel	

Installing into Existing Sidewalk

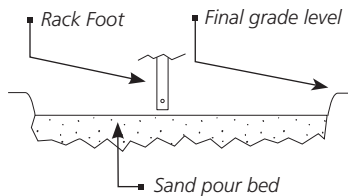
Core holes no less than 3" diameter (4" recommended) and no less than 6" deep into sidewalk. Place Broadway Rack into hole making sure the rack is level. Fill hole with Por-Rok or epoxy grout. 36" of the Broadway Rack should remain above the surface. Make sure the rack is level and held in place until the grout has completely set.



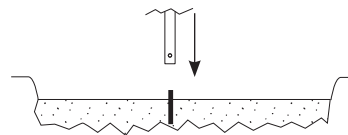
Installing Into a New Sidewalk:

Stake Method:

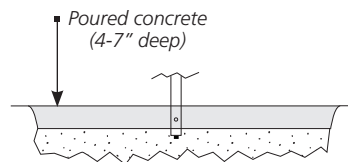
1 Use rack to measure exact location in pour bed.



2 Pound stake into pour bed where end of rack will sit. Slide rack end onto stake. You may need to dig the end of the rack into the sand to make sure the rack sits at least 35" above final grade level. The stake keeps the rack straight while the concrete is being poured.

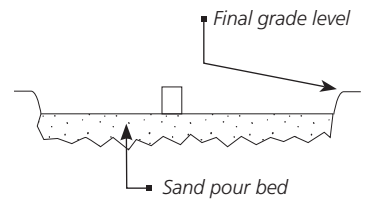


3 Make sure the rack is level and true. Pour concrete around the rack. Make sure the rack is not touched until the concrete has completely set.

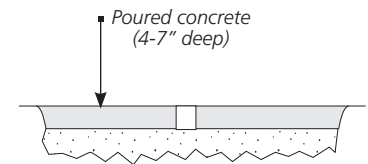


Sleeve Method:

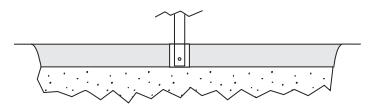
1 Place corrosion resistant sleeve (min. 3" inside diameter) in sand pour bed in exact location where rack will be installed. Make sure top of sleeve is at same level as desired finished concrete surface. Fill sleeve with sand to keep it in place and prevent it from filling with concrete.



2 Pour concrete and allow to cure.

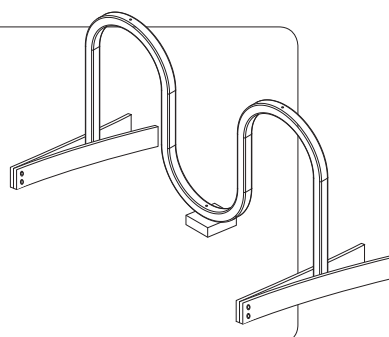


3 After appropriate cure time, dig out sand from sleeves and insert rack, making sure it is level and at the appropriate height. Pour in Por-Rok or epoxy grout and allow to set.



INSTALL TIP

An easy way to brace the Broadway Rack while the grout sets is to bolt two 1x4" boards together at one end and clamp them onto the legs of the rack like a clothes pin. Placing 2x4 blocks under the bottom curves will help to set the correct height.



Note: Sleeve should have profile to keep it from coming loose from hardened concrete.

