

SNYDER



Equipment, Inc.

Storing, Rolling, Lifting since 1947

Bluff risers and ramps

2946 Larimer St. Denver, CO 80205
303-295-1100 / 800-373-7693
FAX 303-295-2464
Email info@snyderequipment.com
www.snyderequipment.com



BLUFF
MANUFACTURING, INC.

Wheel Risers

STEEL AND ALUMINUM WHEEL RISERS (SWR AND AWR)

- Eliminates unsafe, below dock loading conditions
- Reduces damage to loading equipment
- Heights up to 12"

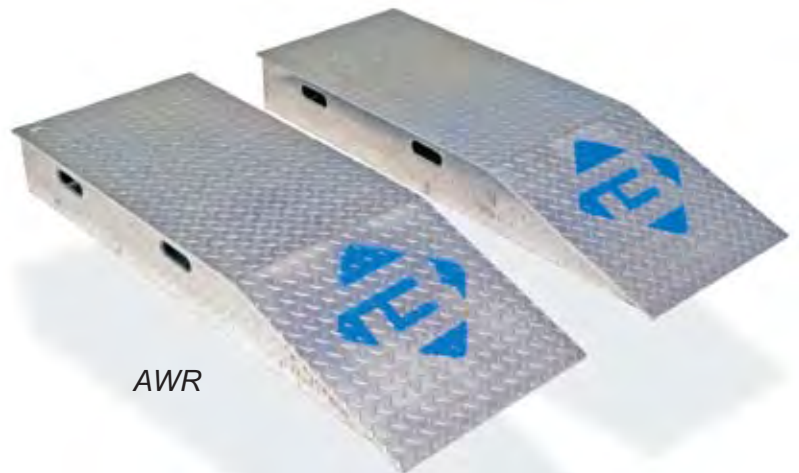
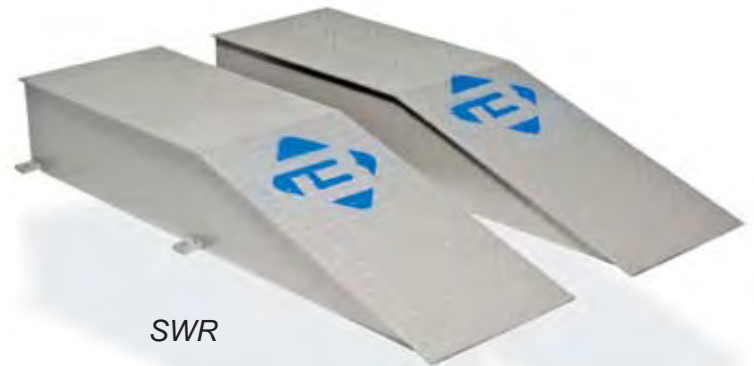
Wheel risers allow trailers to be positioned properly above dock for more efficient loading. Widths of 18" and 24". Lengths to accommodate both single, dual, or tandem axle trailers. Wheel risers can be portable or permanently positioned. Custom sizes are available.

STEEL (SWR)

- Tabs for anchoring

ALUMINUM (AWR)

- Have hand holds for easy moving.

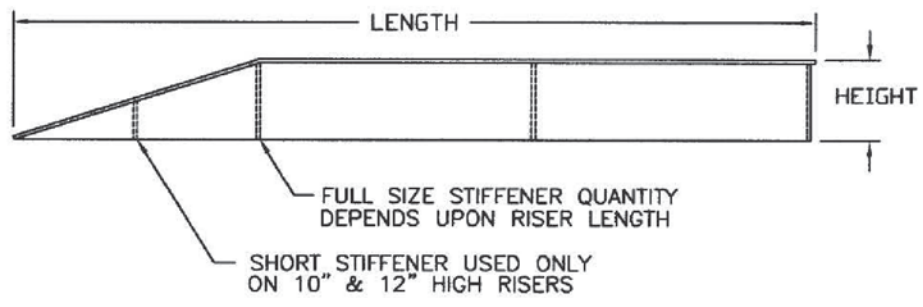
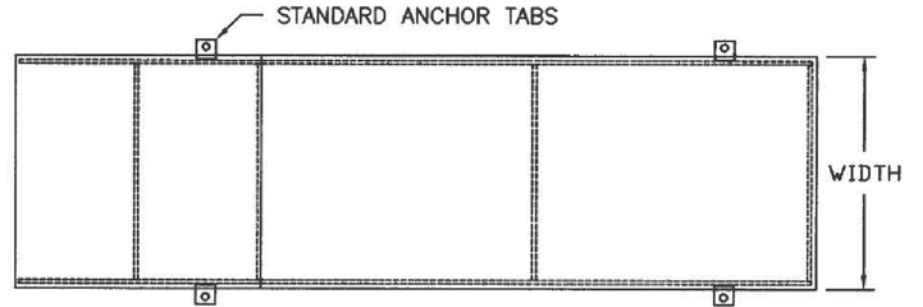
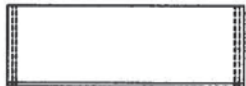


SERVICE YOU CAN STAND ON

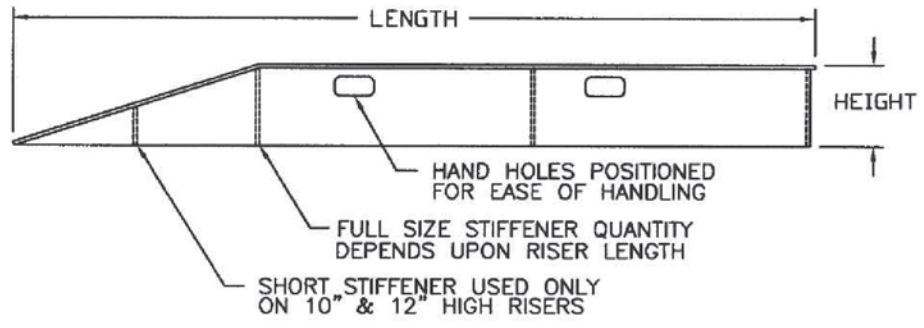
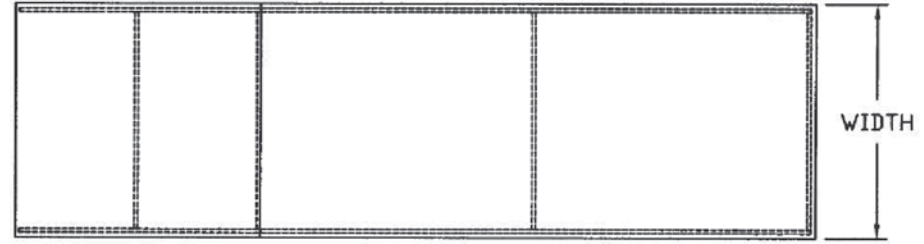
(800) 433-2212 • www.bluffmanufacturing.com • Fax 817-293-7570
1400 Everman Parkway • Suite 156 • Fort Worth, TX 76140

WHEEL RISERS MODELS SWR (STEEL) & AWR (ALUMINUM)

SWR82454



AWR82454

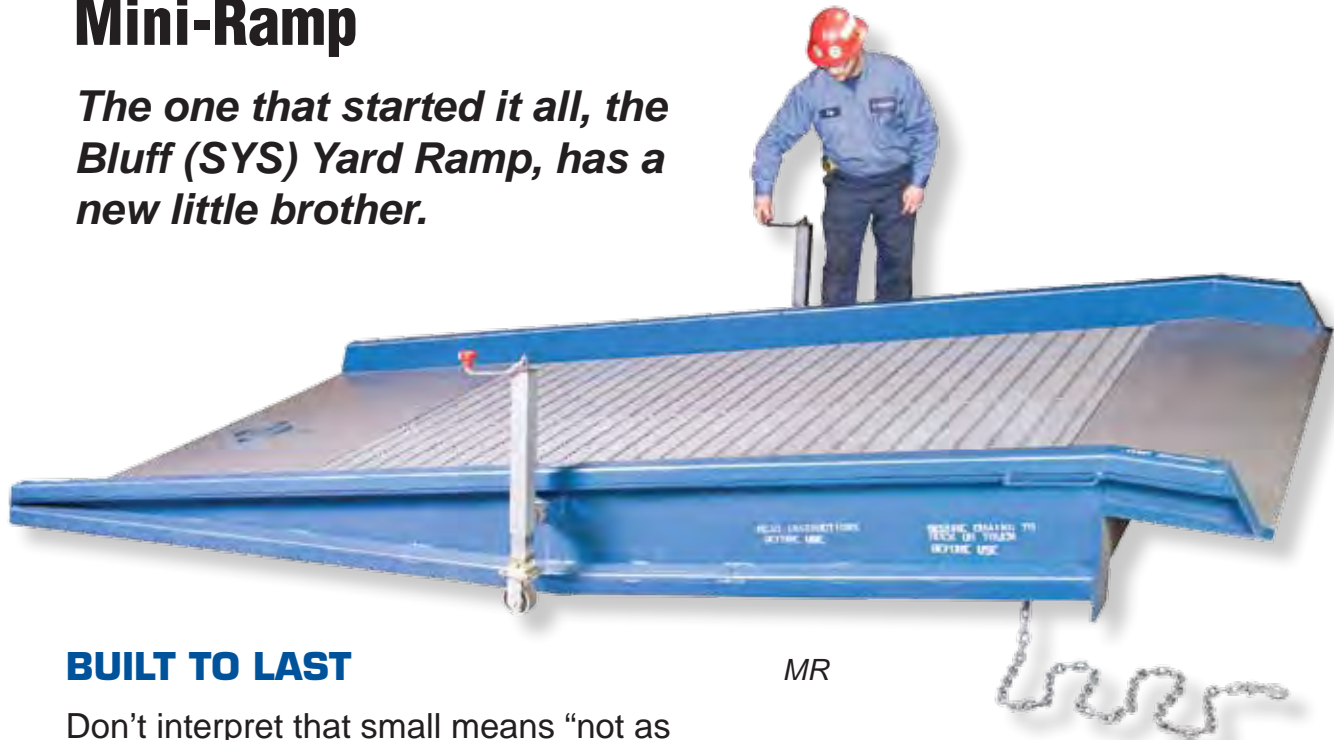




BLUFF
MANUFACTURING, INC.

Mini-Ramp

The one that started it all, the Bluff (SYS) Yard Ramp, has a new little brother.



BUILT TO LAST

Don't interpret that small means "not as tough." There are a world of applications that have a target height that is one-half or less of normal dock height. Mini-Ramp will service heights from 16" to 33".

With the optional mobility package the Mini does not need the hydraulic actuated undercarriage to move it to the work. Two screw jacks with rigid steel casters are mounted at the balance point and a couple of people can move it on a hard surface. Floor plate approach both top and bottom ensure a long life on the grating whether you are using manual equipment or forklift trucks.

MR

Capacities start at 12,000 lb. and go up from there. Widths of 70" and 84" and lengths at 15'.

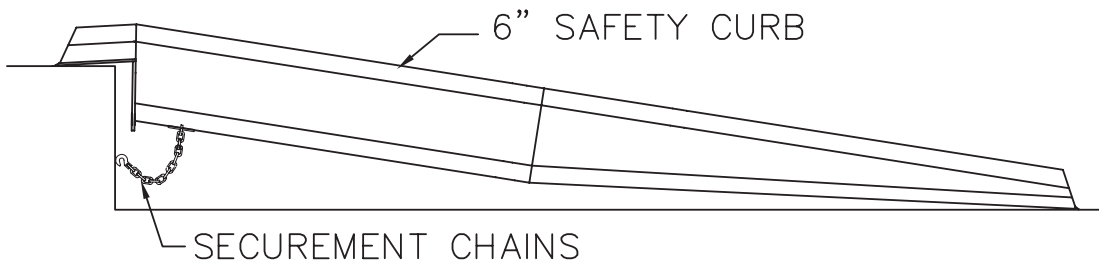
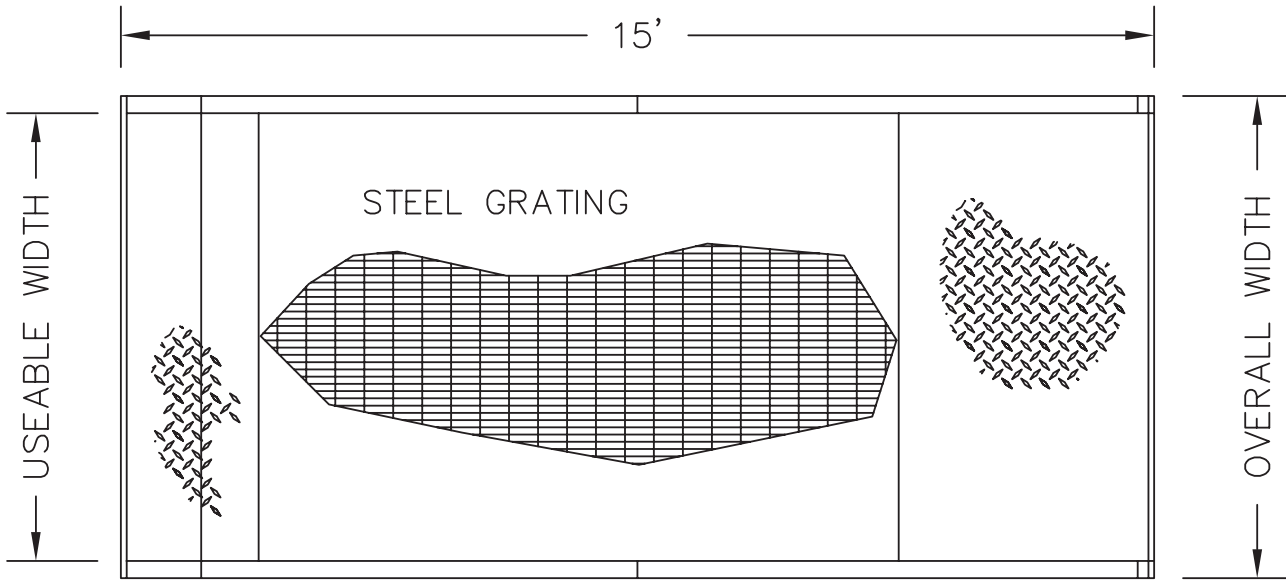
Call for special sizes and capacities.

- **RUGGED**
- **EASY INSTALLATION**
- **SAFETY**
- **ECONOMICAL**

SERVICE YOU CAN STAND ON

(800) 433-2212 • www.bluffmanufacturing.com • Fax 817-293-7570
1400 Everman Parkway • Suite 156 • Fort Worth, TX 76140

STEEL MINI RAMP MODEL MR



12MR8415

└───┬───┐
 └───┬───┐ LENGTH
 └───┬───┐ WIDTH (USEABLE IS 6" LESS)
 - └───┬───┐ MODEL
 └───┬───┐ CAPACITY

LIP HEIGHT	% GRADE
18"	11
24"	14
28"	17
32"	19

OPTIONAL EQUIPMENT
MRSJ- CASTER SCREW JACK
YRACB- CHAIN BRACKETS

FOR INFORMATION ON OTHER MODELS, CONTACT BLUFF CUSTOMER SERVICE.



Container Ramp

The perfect answer for loading and unloading shipping containers.

The Bluff Container Ramp is the perfect answer for your need to load and unload shipping containers. It allows you to safely navigate the transition from ground to the bed of the container.

Bluff Container Ramps are built tough to withstand heavy use. They are built to last.

These Ramps feature a full width stiffener to provide strength and to bump up against the container. Locking chains with a specially designed



keeper allow you to easily lock it into the holes in the container. After the keepers are in place, taking up the slack in the chain is simple and quick with the sturdy grab notch bracket welded to the sides of the Ramp. The result is a safe, sturdy ramp locked firmly to the container. You can now load and unload your container safely – AND QUICKLY!

Container Ramps are available in 15K, 20K, 25K, and 30K capacities. Other sizes available.

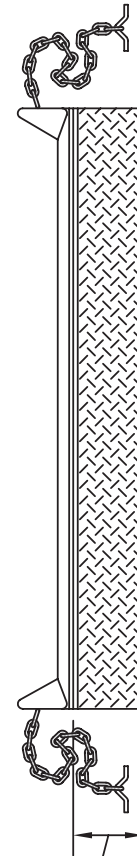
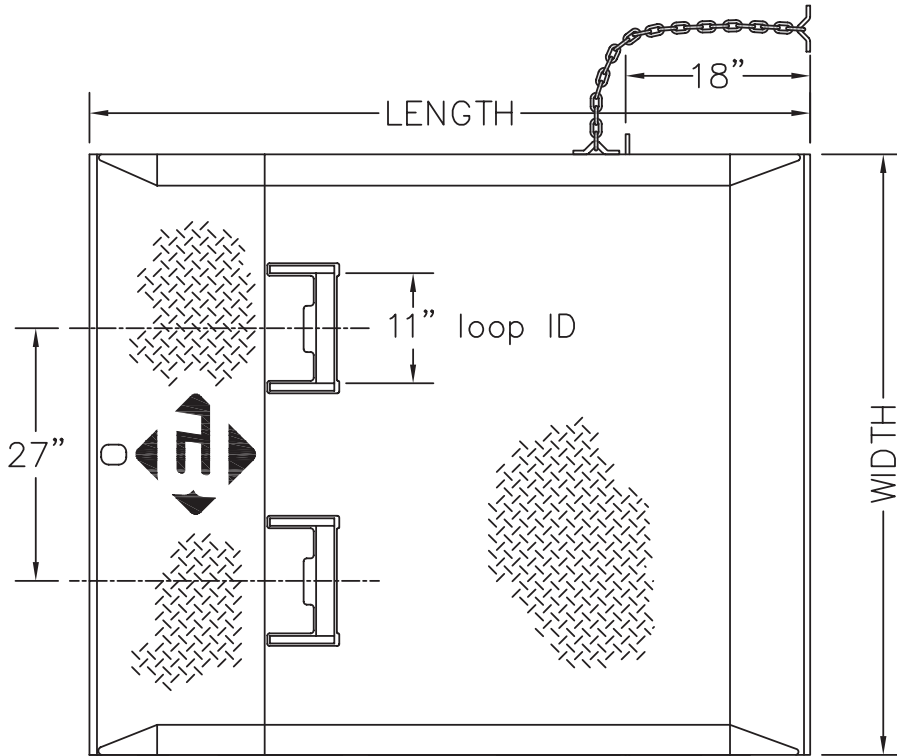
- **RUGGED**
- **EFFICIENT**
- **SAFE**
- **ECONOMICAL**

Manufactured and tested in compliance with ANSI Standard MH30.2

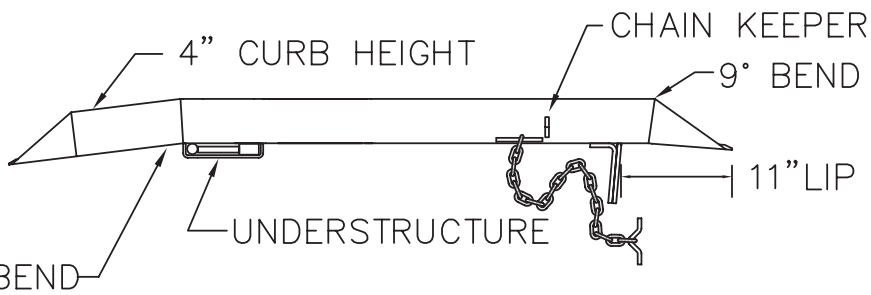
SERVICE YOU CAN STAND ON

(800) 433-2212 • www.bluffmanufacturing.com • Fax 817-293-7570
1400 Everman Parkway • Suite 156 • Fort Worth, TX 76140

PORTABLE STEEL CONTAINER RAMP MODEL CR



5/16" CHAIN & BRACKETS
TO SECURE TO CONTAINER



15CR8460
 _____ LENGTH
 _____ WIDTH
 _____ MODEL
 _____ CAPACITY

FOR INFORMATION ON OTHER MODELS, CONTACT BLUFF CUSTOMER SERVICE.



Poly Curb Ramp

*For use with Hand Trucks or
Wheeled Carts*



Poly Curb Ramp, for use with hand trucks or wheeled carts, provides a safe and ergonomically correct method to move heavy loads over curbs or up steps with ease.

The raised non-slip surface with 1" side rails provides for excellent traction in all weather conditions on curbs or steps up to 8" high.

Constructed of high-density polyethylene, in high visibility safety yellow, for durable use with up to 1,000 lb. load.

Lightweight (9 lb.) ramp has two handles with rounded edges for easy pickup, carrying and handling.

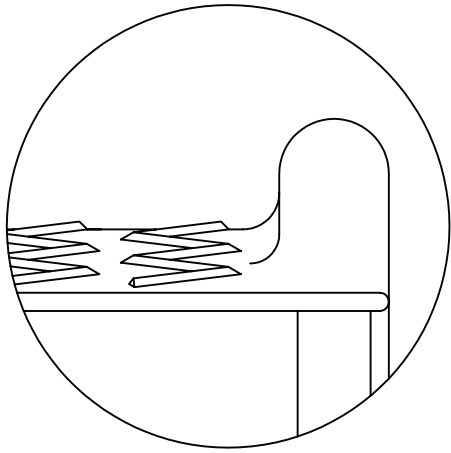
*Dimensions: 27" wide x 27" long x 4" high
Weight: 9 lb.
Load Capacity: 1,000 lb.*



SERVICE YOU CAN STAND ON

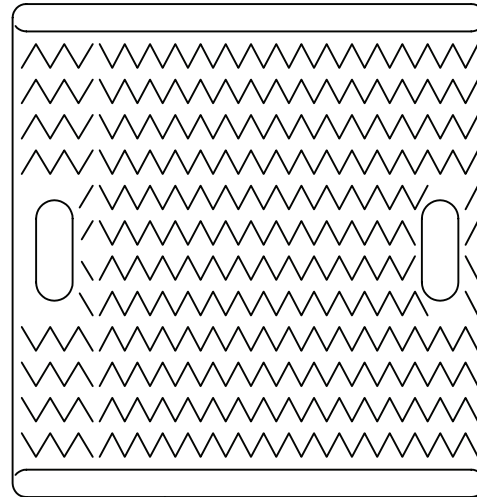
(800) 433-2212 • www.bluffmanufacturing.com • Fax 817-293-7570
1400 Everman Parkway • Suite 156 • Fort Worth, TX 76140

BLUFF POLY YELLOW RAMP

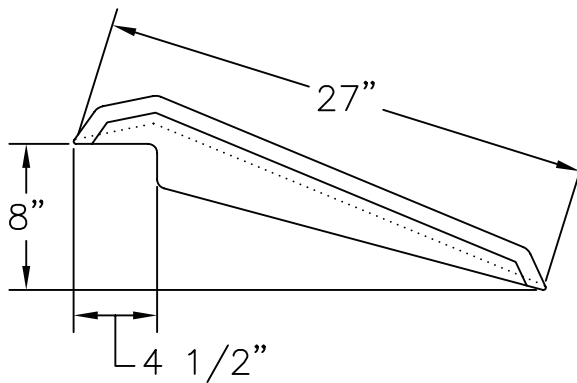
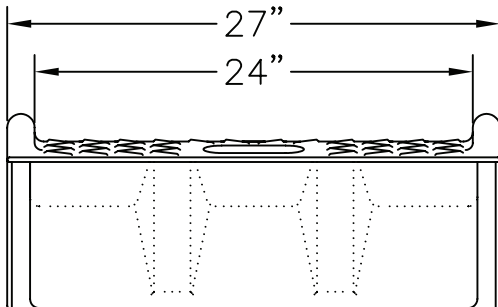


Curb and Tread Detail

Hand Holds
2" x 5 1/2"



Molded Side Curbs



Dimensions: 27" L x 27" W x 4" H
Weight: 9 lbs.
Capacity: 1000 lbs.
Color: Safety Yellow
Material: High Density Polyethylene

FOR INFORMATION ON OTHER MODELS, CONTACT BLUFF CUSTOMER SERVICE.