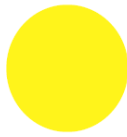


SNYDER



Equipment, Inc.

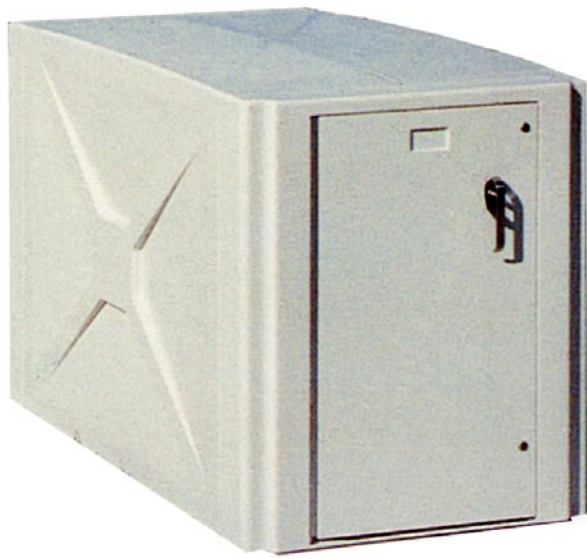
Storing, Rolling, Lifting since 1947

PRODUCT INFORMATION

ABSCO Bike Security Lockers

2946 Larimer St. Denver, CO 80205
303-295-1100 / 800-373-7693
FAX 303-295-2464
Email info@snyderequipment.com
www.snyderequipment.com

BIKE LOCKERS



American Bicycle Security Company (ABSCo) offers the widest product line in the industry. Our line of BIKE-SHELL lockers features a range of models from our 200 SERIES economy-priced plastic sheathed lockers to our top-of-the-line fiber-glass-reinforced composite plastic "350" series that's built to last.

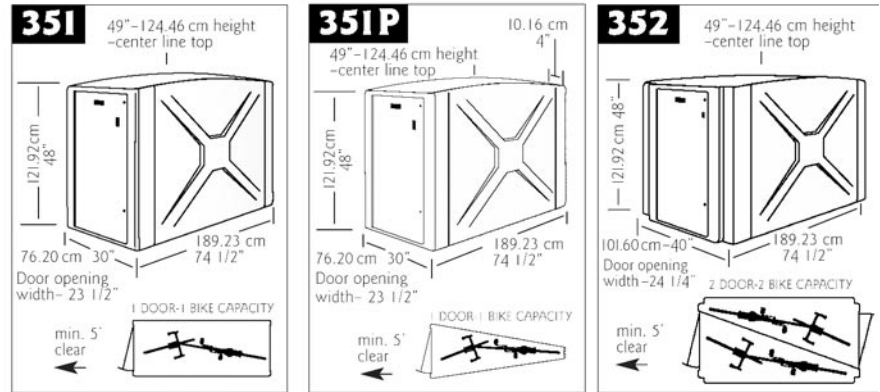
Our selection of locker styles is the most diverse with models to accommodate 1 or 2 bikes in the horizontal position in both rectangular and wedge shapes to choose from our selection of vertical parking lockers. For those architects looking toward the future, we also have the SOLAR-SHELL, the only patented bike locker that is a true solar powered charging station for electric bikes or scooters.

In addition to all the standard bike storage products, ABSCo also features the ability to produce bicycle and storage lockers in unique designs to compliment your project. We can incorporate features into the lockers such as molded in-seating, planters or in-laid designs in multi-color. We are always willing and able to work with our to fulfill your need.



Models 351, 351P, 352

- Models 351, 351P, 352 & 352SS are our top of the line bike lockers, more durable, more attractive and lower maintenance than all others.
- The construction of fiberglass reinforced plastic is highly resistant to impact and scratching.
- The finish never needs painting, will not rust or corrode and is extremely resistant to most stains.
- The standard key-lock mechanism is completely internal and resists tampering.
- Low maintenance and long life reduce costs.
- High security due to built-in door locks with concealed hinges. Locking bar from top to bottom of door.



Structure and Finish

Molded composite lockers shall be manufactured with fiberglass reinforced plastic with a solid color stipple texture finish. Finish allows easy removal of graffiti and is resistant to impact, scratches and U.V. damage. Lockers shall not use an external or internal frame. Walls and top shall be double wall construction for high strength and insulation from the elements, roof shall be crowned for water run off and all corners are curved. Finish does not need painting, resists impact plus chemicals and stains. Materials will withstand extremes in temperature and other weather environmental conditions. Interior walls shall be OSB exterior board. The locker body components shall be joined by internal fasteners. Seven standard colors or CUSTOM COLORS can be matched with a color sample.

Locks and Locking Hardware

High-security, T-handle Medeco™ cylinder lock, removable plug-type cylinder. Internal heavy duty locking hardware consists of a sliding locking bar, 4 feet, 2 inches in length which is secured to the door with 1/2 inch stainless steel bolts and rides on teflon washers. Movement of locking bar is controlled by stainless steel cams attached to the shaft of the lock. Lock is recessed in the door face. High quality heavy gauge stainless steel continuous door hinge will not rust. All fasteners and assembly hardware is zinc plated or better.

Standard Hardware

Number plates recessed in face of door. Stainless steel louvered vents. Adjustable anchor brackets with stainless steel 3/8" anchors allow leveling of lockers.

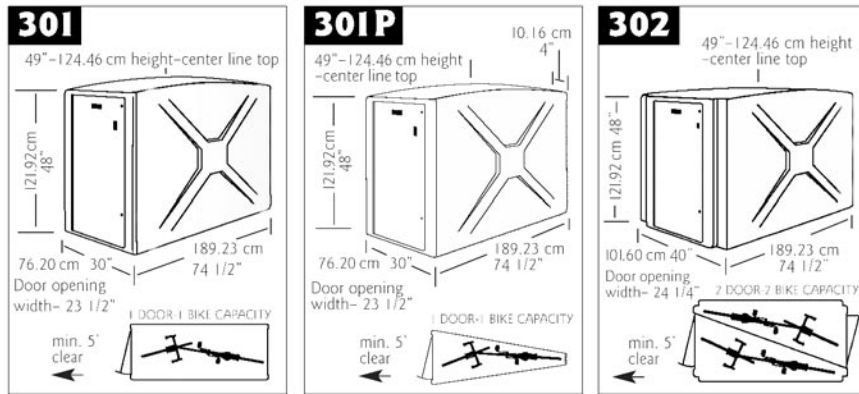
Optional Features:

- Heavy Duty stainless steel pad lock system that will accommodate high security pad locks.
- Master Keyed locks
- Coin and Token operated locks for collection or return.
- Electronic Locks— iButton®, Magstripe card reader, Proximity Readers. Control access, Charge for use, create audit trail of users. No outside power source required.

Model	Dimensions	Starter Unit	Add On	Bike Capacity
351	49"H x 30"W x 74.5"L	\$1921.50	\$1480.50	1
351P	49"H x 30"WF x 4"WB x 72"L	\$1816.50	\$1375.50	1
352	49"H x 40"W x 74.5"L	\$2215.50	\$1806.00	2

Models 301, 301P, 302

- NEW design, one piece FRP Composite bike locker— NO ASSEMBLY required. Can be stand alone or grouped.
- The 300 series are the first one piece lockers available that are not molded of soft and flammable HDPE plastic material.
- Designed after our very popular 350 series of lockers and is available in 4 styles providing flexibility for site locations.
- The construction of fiberglass reinforced plastic is highly resistant to impact, stains and will not corrode.
- High security with standard key locks recessed in door face and internal locking bar system.
- Want to move one or more lockers to another area? Simply remove the anchors and your on your way without any additional parts.



Structure and Finish

Locker shall be manufactured of molded fiberglass reinforced plastic composite with a solid color stipple texture finish. Material shall be E-glass and polyester resin at 35% ratio. Tensile Strength, 18,000 psi. Locker shall be one piece with no external or internal frame and no seams or joints on tops or side walls. Material shall withstand over 300 lb/sqft on roof and 200 lb/sqft on walls/doors. No on site assembly shall be required. Roof shall be crowned for water run off and all corners shall have a smooth radiused finish. Finish of UV stabilized gelcoat does not need painting, allows solvent removal of graffiti and is resistant to impact and U.V. damage. Two standard colors, Tan & Medium Gray. Custom colors matched to your color sample. Interior divider wall on model 302 shall be sealed OSB exterior board and bottom edge shall be a minimum of 1" above ground level.

Locks and Locking Hardware

Fort Lock, 7 pin tumbler Pop Out "T" handle locks with three keys and removable lock cylinders. Internal locking hardware consists of three plated hardened steel cams controlling an extruded aluminum locking bar which engages the door frame over three foot span. High quality custom continuous door hinge will not rust. All fasteners on locking system shall be zinc plated or better. Locker shall anchor in all four corners through base flanges using expansion anchors.

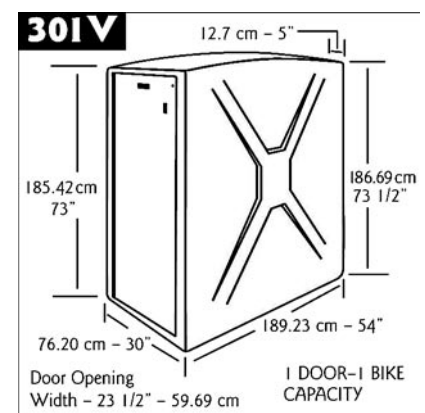
Standard Hardware

Number plates recessed in face of door. Stainless steel louvered vents. Adjustable anchor brackets with stainless steel 3/8" anchors allow leveling of lockers.

Optional Features:

- Locker Stacking configuration available. (see accessories)
- Electronic Locks— iButton®, Magstripe card reader. Proximity Readers, Control access, Charge for use, create audit trail of users, No outside power source required. (see accessories)
- Heavy duty pad lock handle will accommodate high security pad locks.
- Coin and Token operated locks for collection or money return.
- MEDECOM stainless steel locks with T-Handle.
- Ventilation System, stainless steel vents on doors for dissipation of heat and dampness.
- Safety View, check contents of lockers. Three sizes in Lexan or perforated metal.

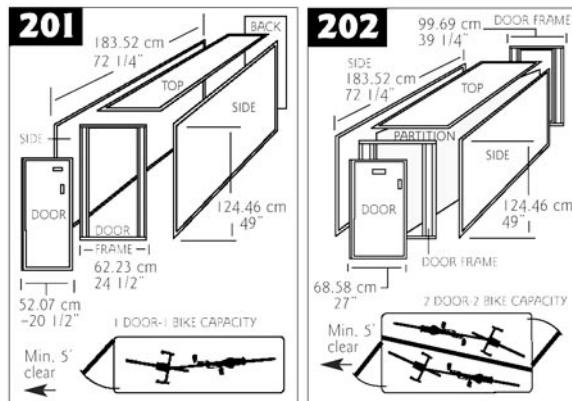
Model	Dimensions	Price per Unit	Bike Capacity
301	49"H x 30"W x 74.5"L	\$1076.25	1
301P	49"H x 30"WF x 4"WB x 72"L	\$1013.25	1
302	49"H x 40"W x 74.5"L	\$1307.25	2
301V	74"H x 30"W x 54"D	\$1239.00	1



Park bikes vertically in a unique, wedge shaped locker which requires less space. Same structure and finish specifications as 300 Series.

Models 201, 202, 203

- Models 201, 201P & 202 are designed for the economically motivated buyer, using FRP materials with OSB core.
- One-piece frame with pre-hung door alleviates adjustment.
- An exterior of fiberglass reinforced plastic is highly resistant to impact and scratching.
- The outer finish never needs painting, will not rust or corrode and is extremely resistant to most stains & chemicals.
- The standard key-lock mechanism is completely internal and resists tampering (System for user provided padlock is also available).
- Motorcycle Lockers #201M.
- Wheelchair/Storage Lockers #201C. Call for more info.



Structure and Finish

Walls, tops, doors and door frames made of colored fiberglass-reinforced plastic with OSB core. Solid color never needs painting, is graffiti resistant and resists impact and scratches. Interior walls of OSB sealed two side. Standard color is tan. Bottom of walls are encapsulated in plastic or aluminum extrusion for superior durability.

Frame

Walls, tops and door frames shall lock together utilizing custom extrusion manufactured from 6063-T5, commercial anodized aluminum.

Locks and Locking Hardware

Fort Lock 7 pin tumbler Pop Out “T” handle locks with three keys and removable lock cylinders. Internal locking hardware consists of six chromolly steel cams controlling an extruded aluminum locking bar which engages the door frame over 3 foot span. High quality custom extruded continuous door hinge has no hinge pins to wear or rust. All fastener and assembly hardware is zinc plated or better and internal to prevent tampering.

Standard Hardware

Number plates recessed in face of door. Stainless steel louvered vents. Adjustable anchor brackets with stainless steel 3/8” anchors allow leveling of lockers.

Optional Features:

- Heavy Duty pad lock system that will accommodate high security pad locks.
- MEDECO Stainless Steel high security T-Handle lock.
- Coin and Token operated locks for collection or return.
- Ventilation system, includes stainless steel louvered vents on doors for dissipation of heat and dampness.
- Viewing windows check contents of lockers. Three sizes in Lexan or perforated metal.

Model	Dimensions	Starter Unit	Bike Capacity
201	49”H x 24.5”W x 72.25”L	\$682.50	1
202	49”H x 39.25”W x 72.25”L	\$855.75	2
203	Same as #202, but with one door	\$813.75	2





Locking Mechanisms



Padlock Handle

Heavy duty padlock system that will accommodate high security padlocks (padlock not included) **No Extra Charge**



Master Keyed Lock

7 pin tumbler Pop Out "T" handle locks with three keys and removable lock cylinders **\$36.75**



Coin Operated

Coin and token operated lock for collection or return **\$157.50**



Medeco Lock

Medeco stainless steel high security T-Handle lock **\$94.50**



Magstripe Card

This card swipe locking system is Designed for secure confirmations with existing mag stripe cards, including credit cards.

It is a "stand alone" system and includes all hardware and software to manage up to twenty (20) doors at one site. The system can be set with various parameters for access control and record use. Plug in a laptop loaded with the application software (included) and the Card Swipe System gives you the ability to reassign lockers or down load locker use information to print an activity report.



iButton

Simply touch the "iButton" to its receptacle. Choose from different iButton styles for various applications. iButton options:

- User key
- Master key
- Audit trail key
- Time programming key

The iButton electronic lock Magstripe card reader Proximity Readers is featured on the lockers with the Grill "Safety View" door.



Door Locking Bar

We have designed our standard strong door locking bar assemblies to provide locker security with top and bottom latching.



Safety View Doors



Lexan Window

The "safetyView" window in Lexan retains the solid nature of the door but allows an inspector to view inside the locker while keeping weather, liquids and dust out. The Lexan window is 12"x12".

\$57.75



Steel Grill

The "Safety View" window with a 16 gauge perforated steel, powder coated black surface for maximum visibility retains the solid nature of the door but allows an inspector to view inside the locker.

Other special order materials can be specified. **\$84.00**



Stackable Option

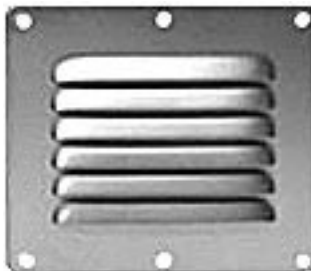
This feature allows you to stack the lockers to provide twice the parking in the same foot print as one unit. The upper level lockers are specially built for this application and their locks are placed lower down on the door for easier access. On the 300 and 350 Series lockers there is an adapter flange used to follow the contour of the top of the lower units. When specifying stacked lockers please include the number of upper and lower units with the lower units using the standard model numbers and the upper units having the model number followed by a "U". Only like models can be stacked. Groupings of units is recommended for stability.



Hanging Hooks

Hanging Hooks can be installed to store everything from helmets to sweaters, backpacks to ponchos.

2 per locker **\$21/locker**



Air Flow Grill

Lockers can be supplied with air venting grills to reduce the occurrence of mold and mildew. **\$15.75**

AMERICAN BICYCLE



SECURITY COMPANY